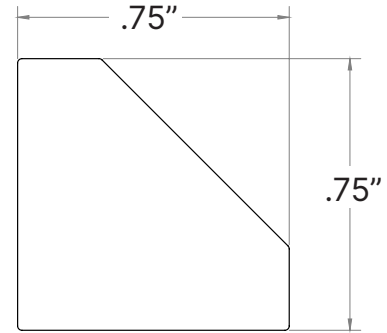
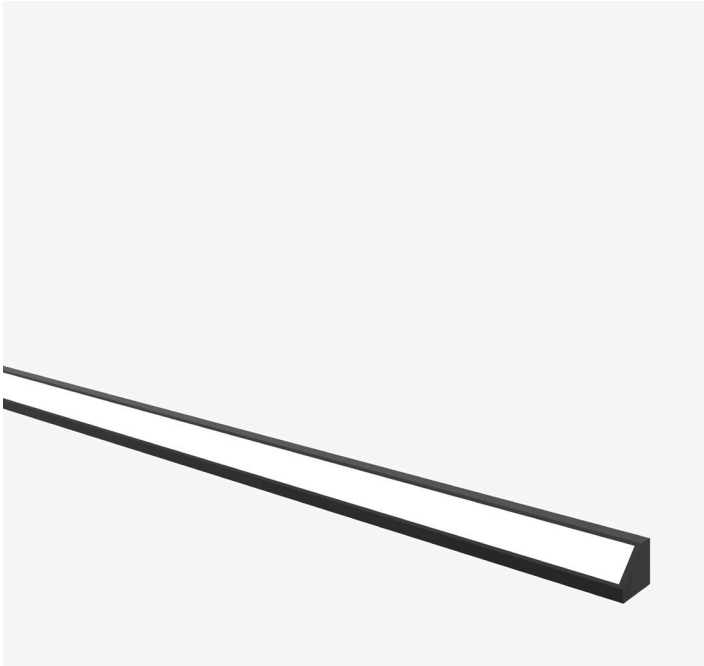
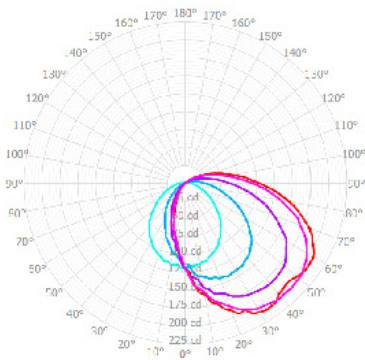


Dimensions



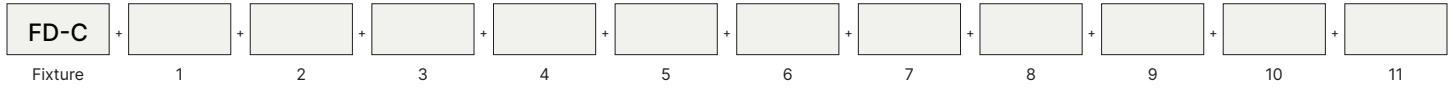
Optics



Spec Lock

- LED specially binned through forward voltage within a 3-step MacAdam ellipse for increased CCT fidelity and smooth lower end dimming.
- Flexible power feed injections maintain LED pitch consistency for a plethora of mounting options.
- Never a shadow, hotspot nor break in light no matter the output and run length.

Part # Builder



Fixture	1 : Lens	2 : Intensity ¹	3 : Color Temp
FD-C : FlexDuo Corner	FF : Flat Frosted Visible Does 5% Loss FM : Flat Milky Non Visible Diodes 50% Loss	L : Low (300lm/2.2w per ft - Nominal) H : High (600lm/4.4w per ft - Nominal)	27 : 2700K 30 : 3000K 35 : 3500K
4 : Finish ²	5 : Feed ³	6 : Control	7 : Mounting
M : Mill Finish W : Gloss White (Cost Adder) B : Matte Black (Cost Adder) C : Custom RAL# (Cost Adder - Consult Factory)	EF : End Feed* RF : Rear Feed SF1 : Side Feed 1 *Refer to Color Temp selection	0 : None 1 : 0-10 -1% Dimming 3 : DMX/ DALI 4 : POE 5 : ELV / MLV / Phase 6 : Lutron Hi-Lume 1% Ecosystem W/ SO-FTB 7 : Lutron Hi-Lume 1% 3 Wire + G 8 : Lutron Athena Wireless Node - RF Only 9 : Casambi 10 : nLyte 11 : Enlighted 12 : Other - Consult Factory	E : External Mounting Clip
8 : Blind Cove ⁴	9 : Wire Length	10 : Shape	11 : Fixture Length
N : No Y : Yes	12" 24" 48" 96" Custom - (Consult Factory)	S - Straight U - U Shape L - L Shape R - Rectangle P - Pattern (Consult Factory)	X' Y"

Flat Frosted : Visible Diodes - 5% Light Loss

OUTPUT	L	H
Lumens/Foot	285	570
Watts/ Foot	2.2	4.4
Lumens/Watt	129	129

Flat Milky : No Imaging - 50% Light Loss

OUTPUT	L	H
Lumens/Foot	158	315
Watts/ Foot	2.2	4.4
Lumens/Watt	72	72

Specification Details

	LENS	LIGHT LOSS	VISIBLE DIODES		LOW	High		
Voltage		N/A			24VDC CV	24VDC CV		
Watts / Foot		N/A			2.2	4.4		
mA / Foot		N/A			92	184		
Frosted Lens: Lumens / Foot	Frosted	5%	Yes		285	570		
Frosted Lens: Lumens / Watt	Frosted	5%	Yes		129	129		
Milky Lens: Lumens / Foot	Milky	50%	No		158	315		
Milky Lens: Lumens / Watt	Milky	50%	No		72	72		
0-10 / Lutron Athena Node	Max Load @ 96 Watts				40 Feet	20 Feet		
DMX / DALI	Max Load @ 96 Watts				40 Feet	20 Feet		
Phase	Max Load @ 96 Watts				40 Feet	20 Feet		
POE	Consult Factory							
Lutron Drivers	LDE1 Hi-Lume 1% EcoSystem. Soft On Fade to Black				L3DA3W Hi-Lume 1% 3 WIRE+G			
Color Temperatures (K) + Flux	2700 (100%), 3000 (100%), 3500 (115%)							
Max Run Length	Low : 40 Feet / High : 20 Feet							
Cutting Point	2" Cutting Points							
CRI	90+							
R9	50+							
MacAdams Ellipses	3 Steps							
Beam Angle ²	120 Degrees							
IP Rating	IP20 - Dry Location							
Lamp Life	50,000 Hours							
Dimming / Control ³	0-10 / POE / DMX / DALI / PHASE / LUTRON / LUTRON WIRELESS							
Operating Temperature	-13°F to 122°F							

FINISH

Standard Mill Aluminum Finish.
Powder Coating to any RAL# available upon specification
Increased pricing for powder coating.

Warranty

5 Year Limited Warranty - Covers all Scout manufactured products.
Default to manufactures warranty for all 3rd party components. Does not cover labor.

ORDER DETAILS

- All fixtures come standard with starter end cap feed unless otherwise specified.
- All Scout Select Fixtures come preassembled up to 8 feet long with 8" power feed.
- Any Fixture length under 8 feet long will be made as a complete fixture.
- Any Fixture length over 8 feet long will be broken into 6 foot lengths + the balance length. A 10 Foot Fixture will be broken into 1 length @ 6 Feet and 1 @ 4 Feet.
- In situations where fixtures are longer than the maximum wattage load new power will be injected from either the side or rear. Standard Injection is side Feed 1.
- All orders come with an approval drawing. Fabrication will not begin until drawing has been signed off or waived.

¹Lumens / Watt accounts nominal driver efficacy at full load

² Finish: Mill Finish comes standard. Cost Adder for Power Coating. Contact Factory for Custom RAL#

LED SYSTEM

Proprietary linear LED Scout Engine incorporates premium Cree LEDs on a robust platform to achieve excellent thermal management. LEDs are placed to promote a uniform appearance.
Available in 2700K, 3000K, 3500K in 90+ CRI. LED modules and drivers are replaceable.
Color accuracy <3 SDCM

CONSTRUCTION

One piece extruded aluminum housing. Cast aluminum end caps.

OPTICS

Extruded High Transmission Milky Acrylic Lens with No LED imaging. Extruded High Transmission Frosted Acrylic Lens with LED imaging.

ELECTRICAL

Fixture comes reassembled with 8" whip.
All Drivers are installed in remote location.
All drivers are Universal input 120-277 VAC.
Standard Constant Voltage drivers include 0-10V dimming preinstalled in enclosure.

LABELS

Conforms To UL STD 2108 Certified To CSA STD C22.2 # 250.0
Suitable for Dry or Damp Locations, indoor use only.
ETL Control # 5011600

Scout Lighting reserves the right to modify this specification without prior notice. **Updated 5/5/26**