

## PART # DUNV100



### QUICK SPECS

VOLTAGE	WATTAGE	AMPERAGE	INPUT VOLTAGE
24vDC	100	4.0	120 - 277 AC
CLASS	EFFICIENCY	DIMMABLE	WARRANTY
2	86%	None Dim	5 Years

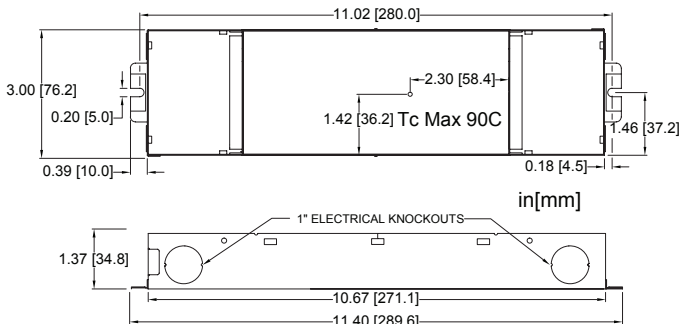
### FEATURES

- Short circuit and overload protection
- Over temperature protection
- Suitable for dry and damp locations
- Withstanding voltage: I/P – O/P 2kVAC
- Minimum start temp: -30°C
- Inrush Current: <20A Max @230VAC, cold start 25°C
- Output Voltage tolerance +/- 5% @ 25°C
- No minimum load

### DIMENSIONS

Length :	11.40" [289.6mm]
Mounting :	11.02" [280.0mm]
Width :	3.00" [76.2mm]
Height:	1.37" [34.8mm]
Weight:	2.45lbs [39.2oz]

### LINE WORK



### APPROVALS

- UL 8750 listed component
- EN61000-3-2
- EMC: Meets FCC47 CFR Part 15 (Class B) consumer limits



### WIRING

Input :	12" - Black [L] - #18AWG
	12" - White [N] - #18AWG
Output :	12" - Red [+] - #18AWG
	12" - Black [-] - #18AWG

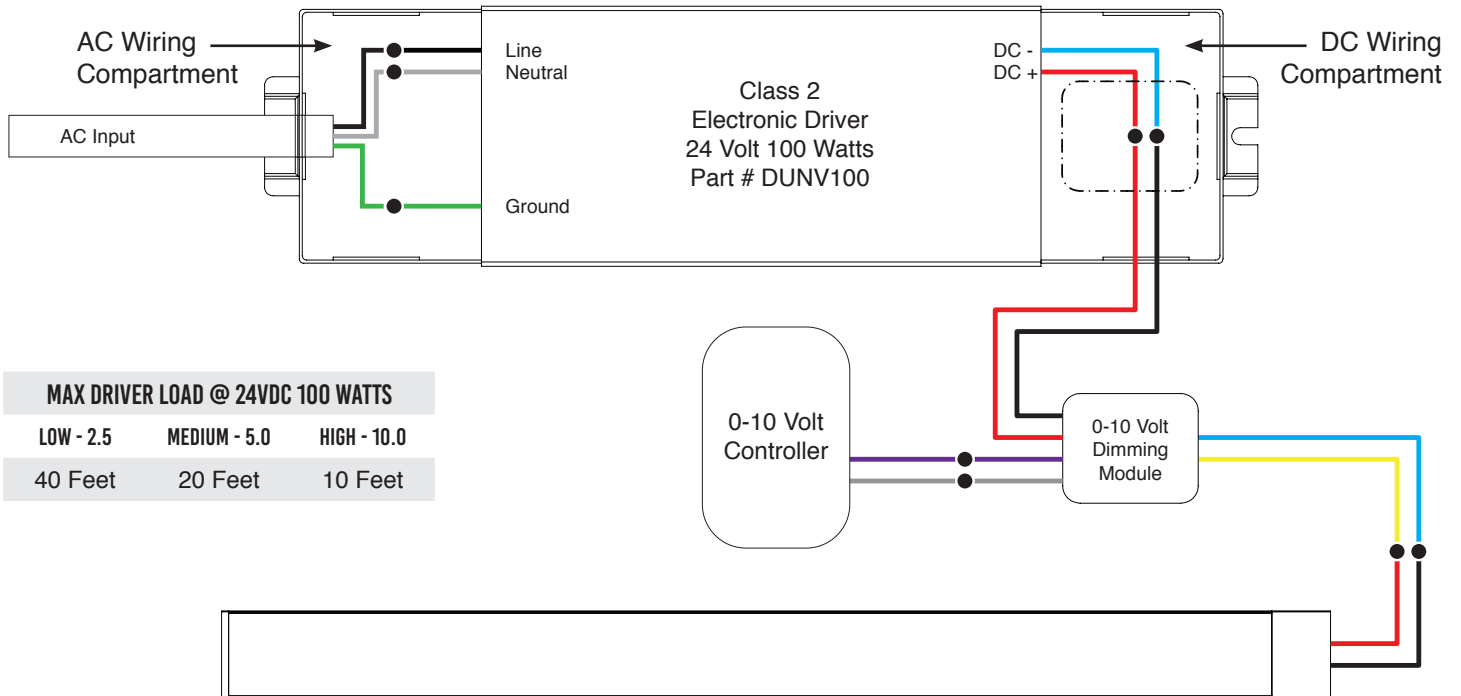
### FULL SPECIFICATIONS

DC Voltage	24VDC
Current	4.0 Amps
Wattage	100 Watts
Input Voltage	120 - 277 VAC
Input Current	0.94 / 0.41 A
Frequency Range	50 / 60 Hz
Efficiency	86%
Power Factor	> 0.90
Temperature Range	-40° - 90° C
Protection	Short Circuit and Overload
IP Rating	Dry or Damp





## 0 - 10 WIRING



**MAX DRIVER LOAD @ 24VDC 100 WATTS**

LOW - 2.5	MEDIUM - 5.0	HIGH - 10.0
40 Feet	20 Feet	10 Feet

Note : 0-10 volt module fits inside the low voltage compartment of driver

