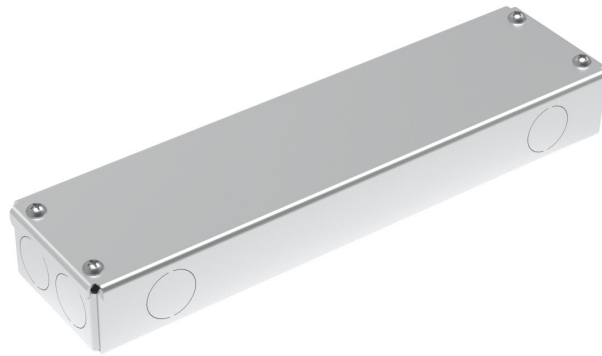




Project : _____ Firm : _____ Type : _____ Quantity: _____



Quick Specs

| | |
|------------------|------------------|
| Driver Type | Constant Current |
| Dimming Control | Phase |
| # of Channels | 1 |
| DC Voltage Range | 20-46 VDC |
| AC Input Voltage | 120 - 277 |
| Class | 2 |
| mA | 350 - 700 |
| Wattage | 32 |
| Warranty | 5 years |
| Efficiency | >90% |

Max Load (700mA)

| | |
|--------------------|---------|
| Super Low (50mA) | 14 Feet |
| Low (89mA) | 7 Feet |
| Medium (149mA) | 4 Feet |
| High (250mA) | 2 Feet |
| Super High (300mA) | 2 Feet |

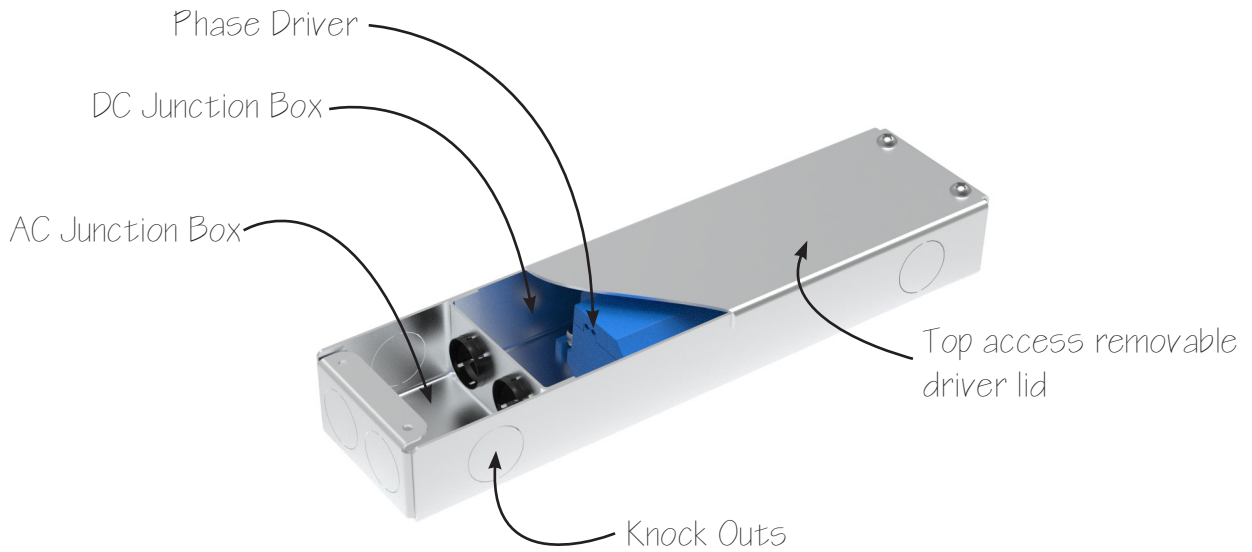
Max Distance

| | |
|--------|----------|
| 20 AWG | 20 Feet |
| 18 AWG | 40 Feet |
| 16 AWG | 60 Feet |
| 14 AWG | 100 Feet |
| 12 AWG | 150 Feet |

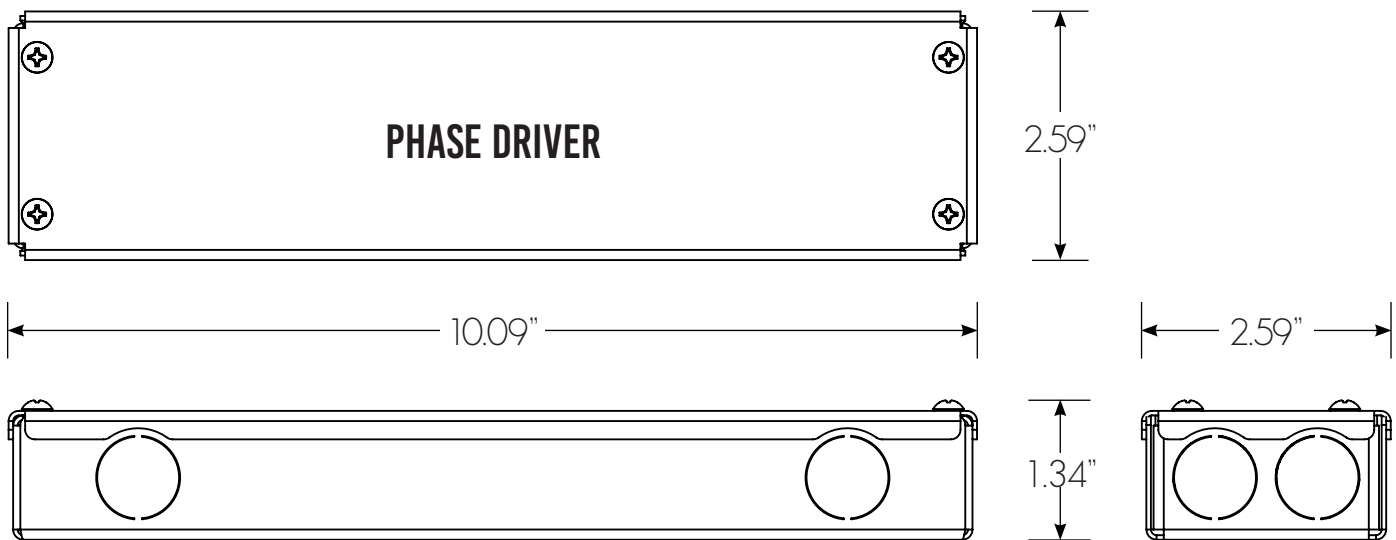




Driver Anatomy

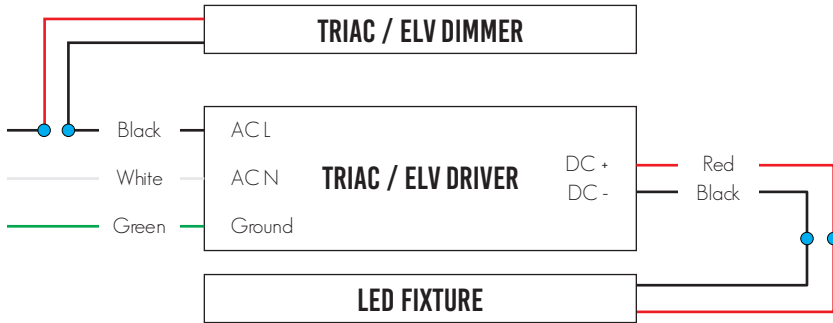


Dimensions

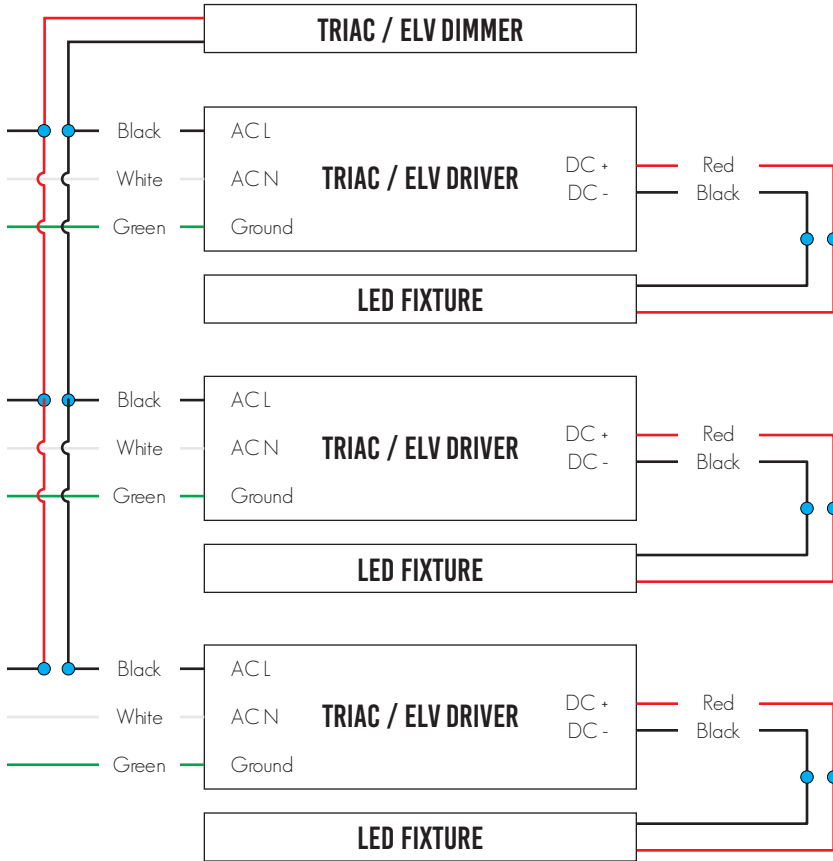




Phase Wiring



Single Phase wiring



Multiple fixture wiring to single phase Dimmer

