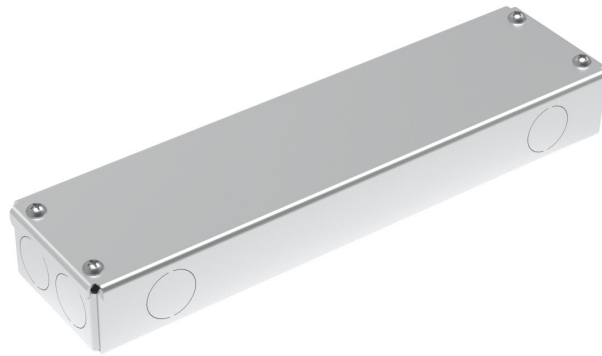




Project : _____ Firm : _____ Type : _____ Quantity: _____



Quick Specs

Driver Type	Constant Current
Dimming Control	Phase
# of Channels	1
DC Voltage Range	20-46 VDC
AC Input Voltage	120 - 277
Class	2
mA	175 - 350
Wattage	16
Warranty	5 years
Efficiency	>90%

Max Load (350mA)

Super Low (50mA)	7 Feet
Low (89mA)	3 Feet
Medium (149mA)	2 Feet
High (250mA)	1 Feet
Super High (300mA)	1 Feet

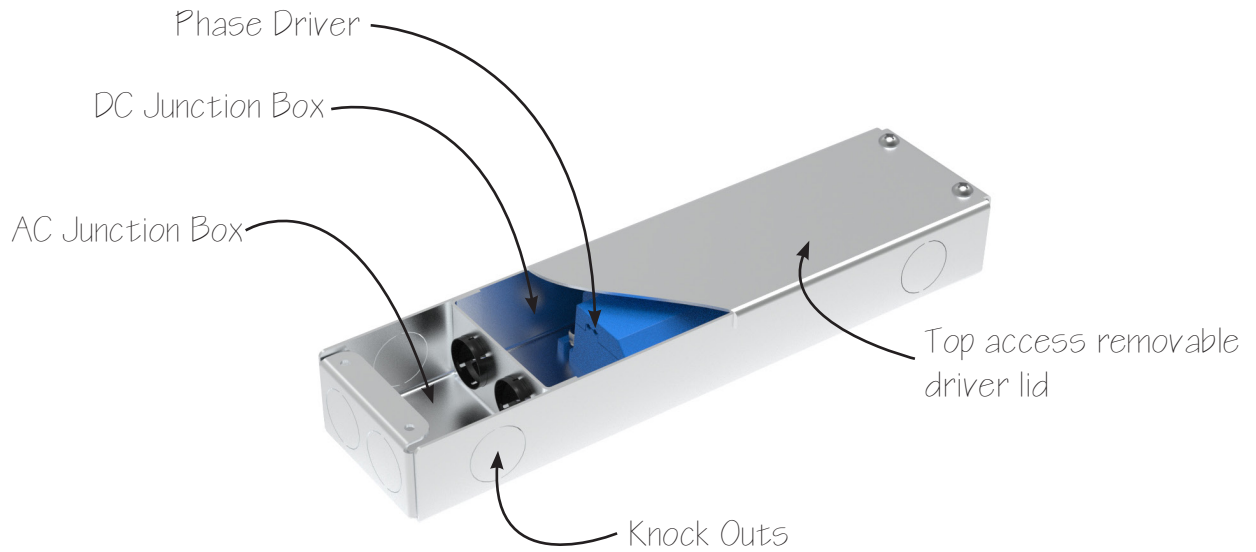
Max Distance

20 AWG	20 Feet
18 AWG	40 Feet
16 AWG	60 Feet
14 AWG	100 Feet
12 AWG	150 Feet

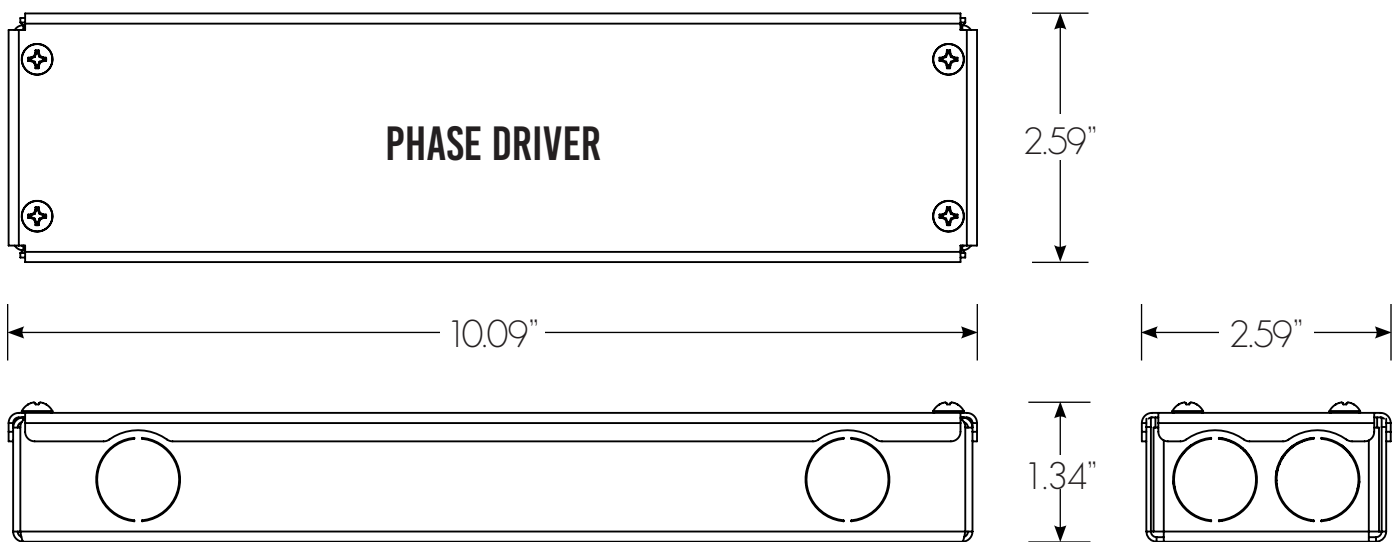




Driver Anatomy

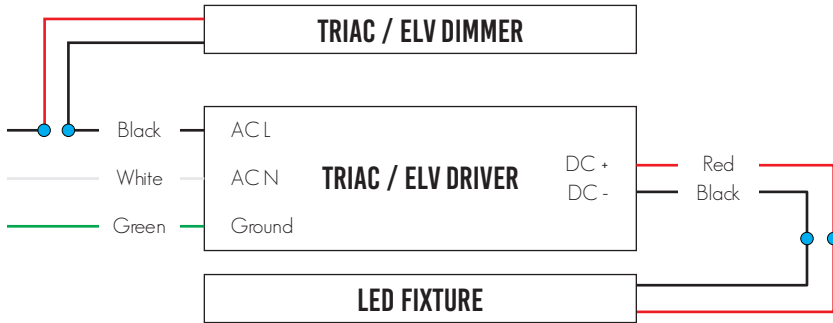


Dimensions

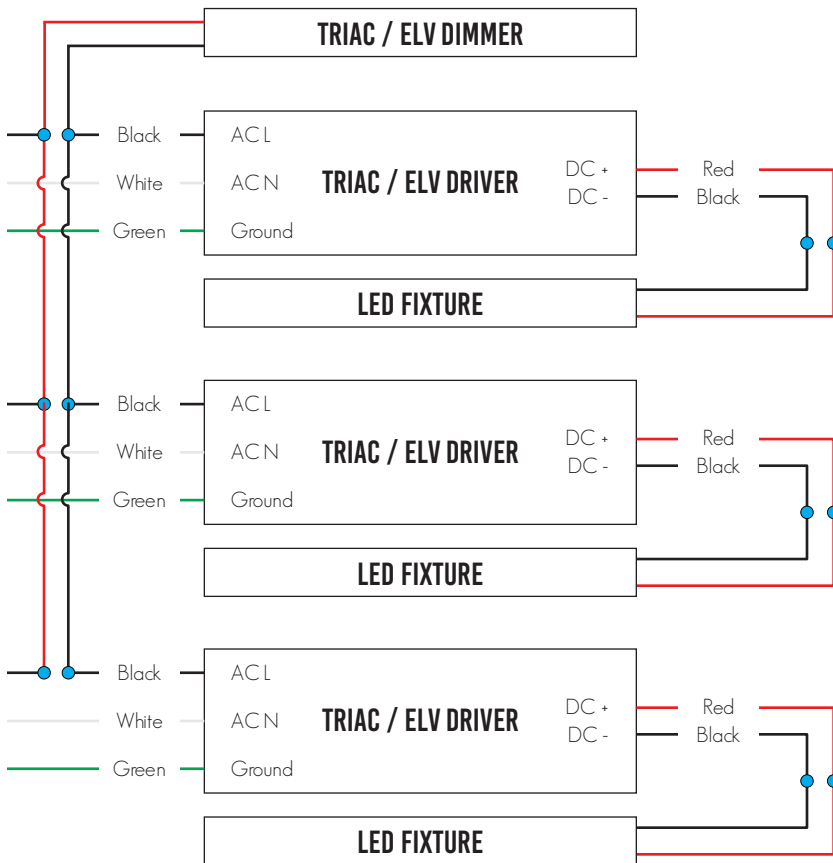




Phase Wiring



Single Phase wiring



Multiple fixture wiring to single phase Dimmer

