



Project : _____ Firm : _____ Type : _____ Quantity: _____



Quick Specs

Max Load (1500mA)

Max Distance

Driver Type	Constant Current
Dimming Control	DMX / DALI
# of Channels	4
DC Voltage Range	2-57 VDC
AC Input Voltage	120 - 277
Class	2
mA	200 - 1050
Wattage	100
Warranty	5 years
Efficiency	>90%

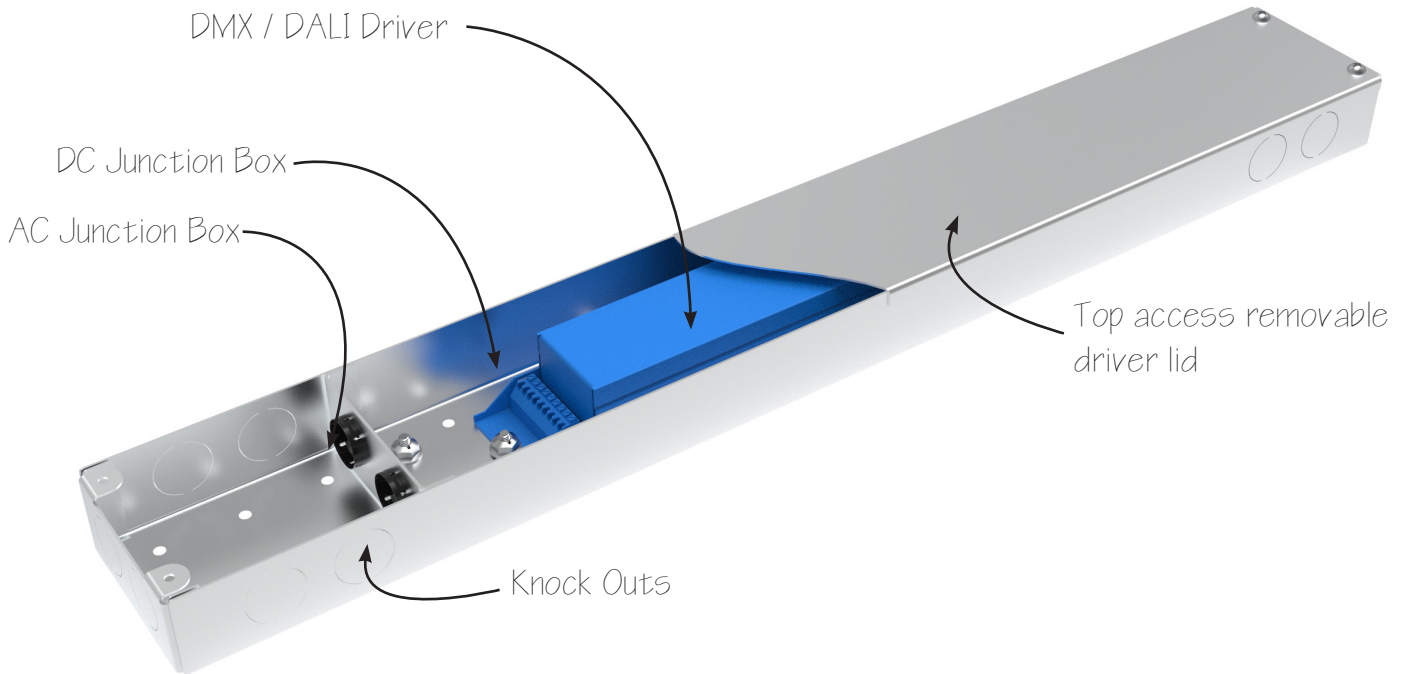
Super Low (50mA)	21 Feet
Low (89mA)	11 Feet
Medium (149mA)	7 Feet
High (250mA)	4 Feet
Super High (300mA)	3 Feet

20 AWG	20 Feet
18 AWG	40 Feet
16 AWG	60 Feet
14 AWG	100 Feet
12 AWG	150 Feet

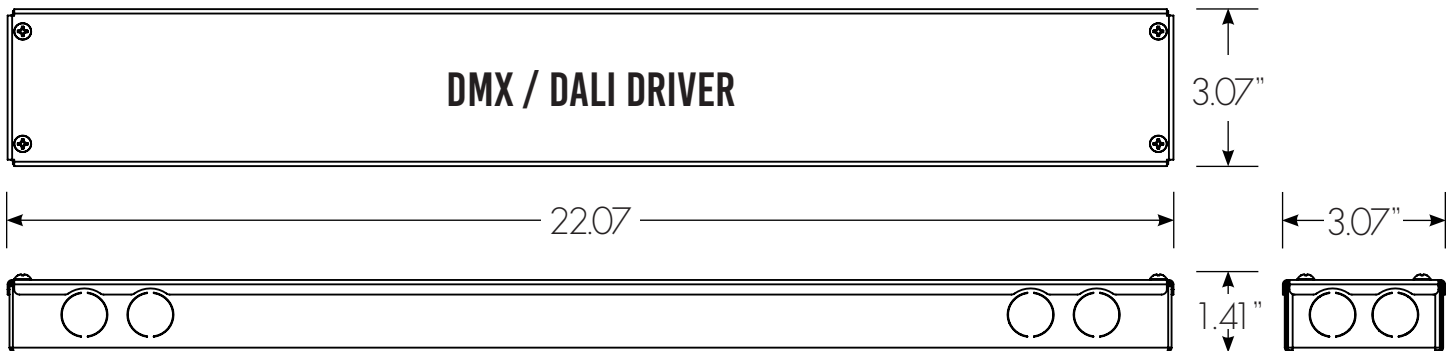




Driver Anatomy



Dimensions





DMX Wiring

