



Project : \_\_\_\_\_ Firm : \_\_\_\_\_ Type : \_\_\_\_\_ Quantity: \_\_\_\_\_



**Quick Specs**

**Max Load (1500mA)**

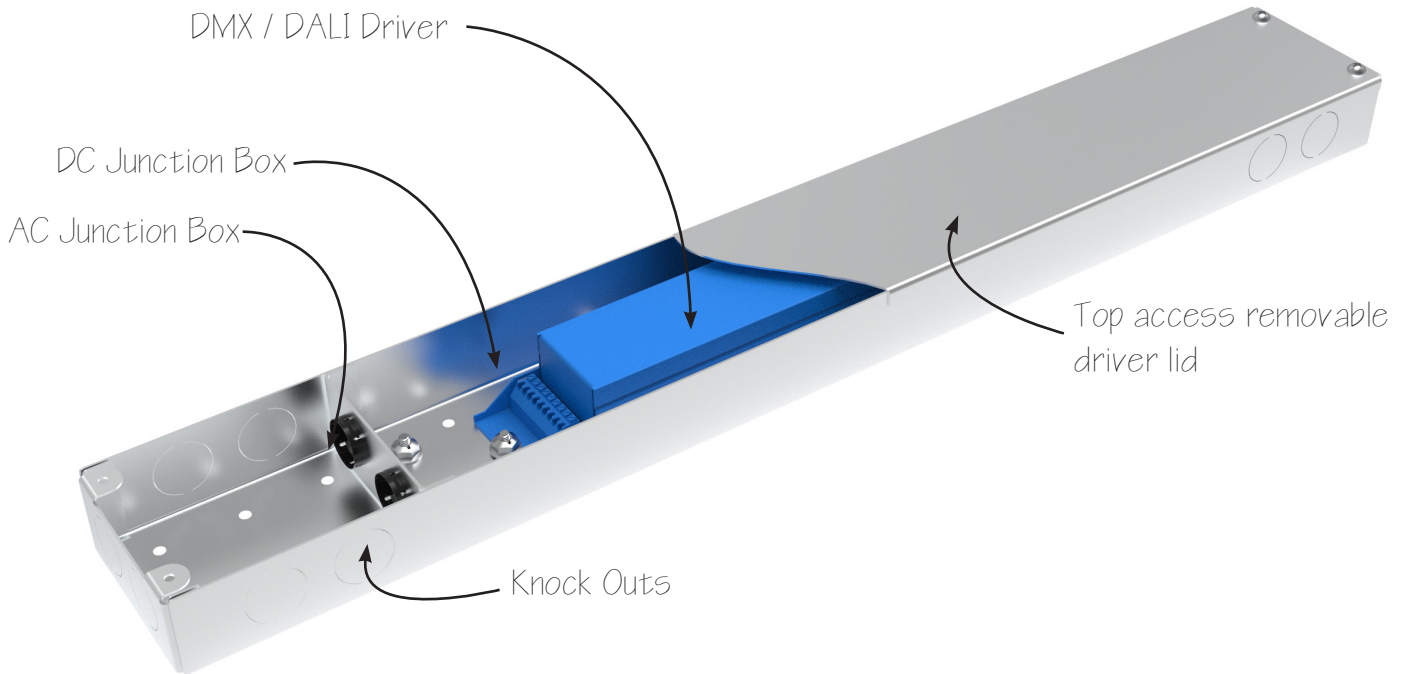
**Max Distance**

Driver Type	Constant Current	Super Low (50mA)	21 Feet	20 AWG	20 Feet
Dimming Control	DMX / DALI	Low (89mA)	11 Feet	18 AWG	40 Feet
# of Channels	4	Medium (149mA)	7 Feet	16 AWG	60 Feet
DC Voltage Range	2-57 VDC	High (250mA)	4 Feet	14 AWG	100 Feet
AC Input Voltage	120 - 277	Super High (300mA)	3 Feet	12 AWG	150 Feet
Class	2				
mA	200 - 1050				
Wattage	100				
Warranty	5 years				
Efficiency	>90%				

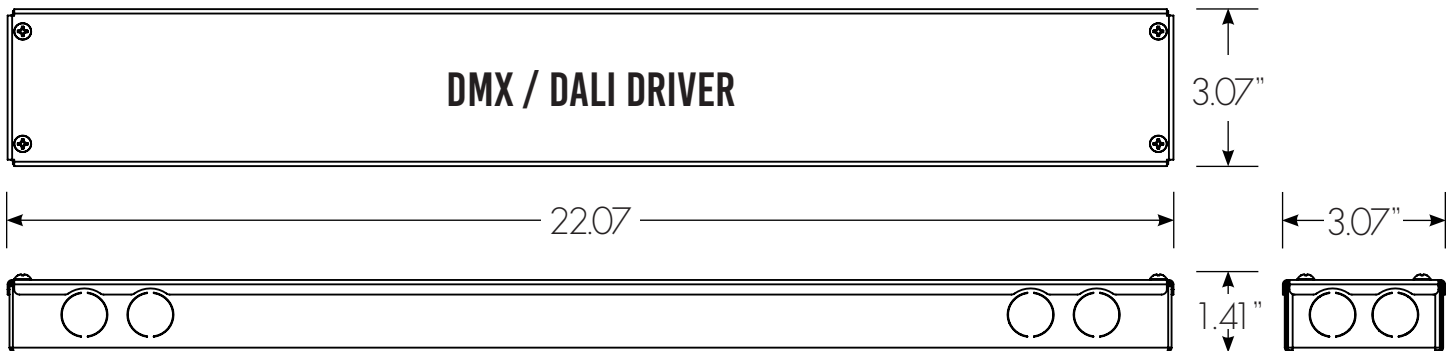




Driver Anatomy



Dimensions





DMX Wiring

