



Project : _____ Firm : _____ Type : _____ Quantity: _____



Quick Specs

Max Load (2000mA)

Max Distance

Driver Type	Constant Current
Dimming Control	0-10 : 1%
# of Channels	1
DC Voltage Range	27-54 VDC
AC Input Voltage	120 - 277
Class	2
mA	2000
Wattage	75
Warranty	5 years
Efficiency	>90%

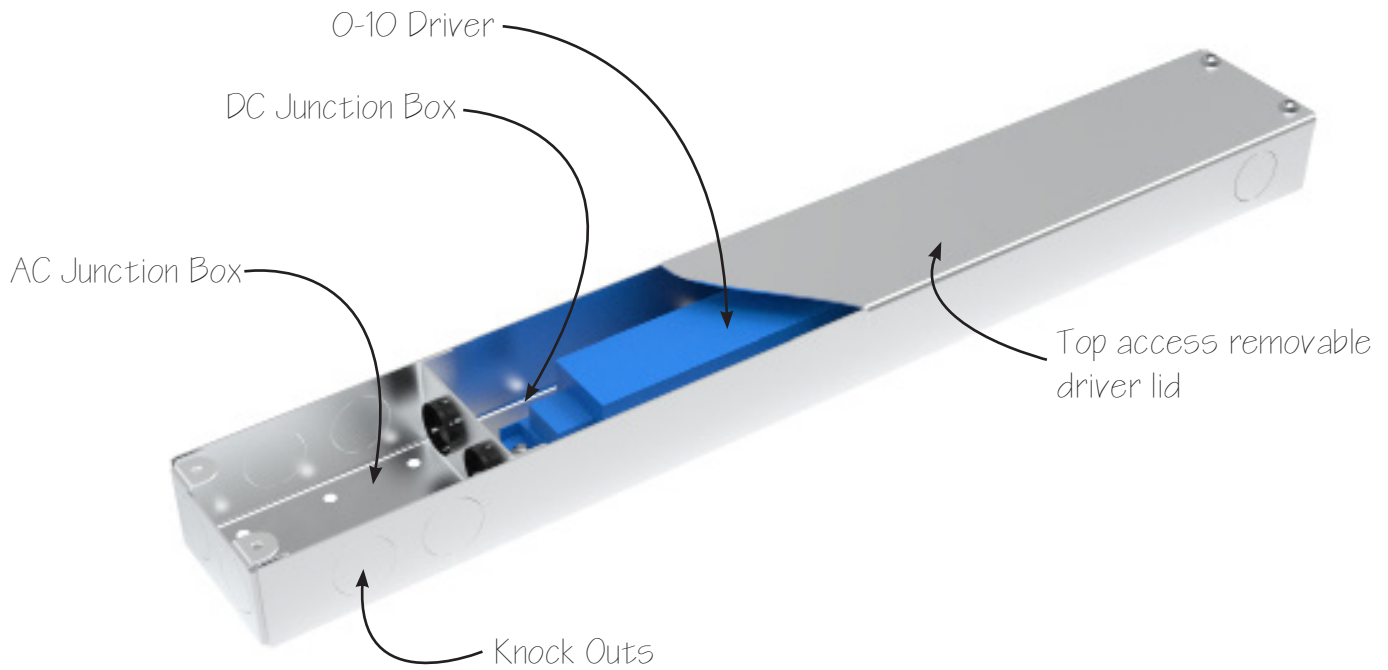
Super Low (50mA)	40 Feet
Low (89mA)	22 Feet
Medium (149mA)	13 Feet
High (250mA)	8 Feet
Super High (300mA)	5 Feet

20 AWG	20 Feet
18 AWG	40 Feet
16 AWG	60 Feet
14 AWG	100 Feet
12 AWG	150 Feet

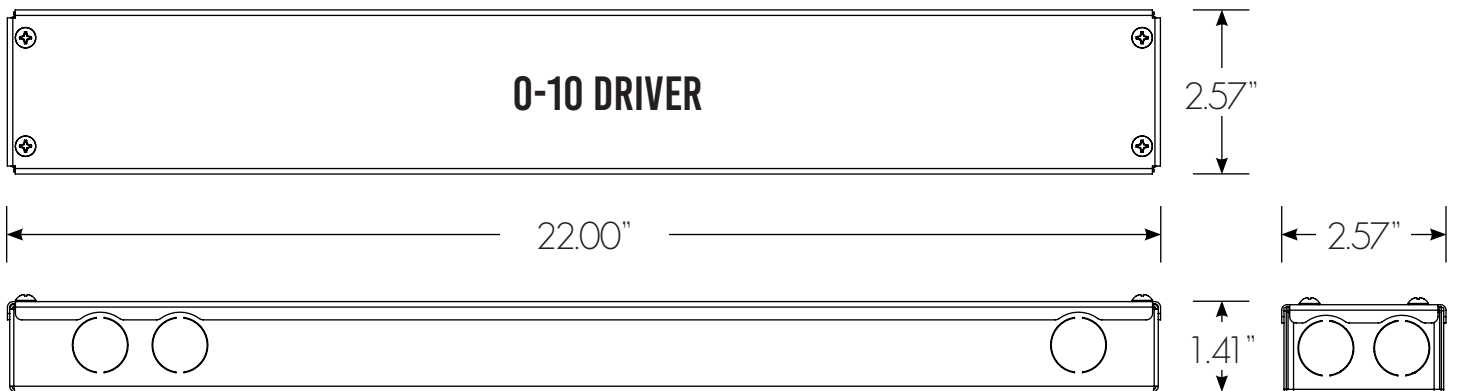




Driver Anatomy

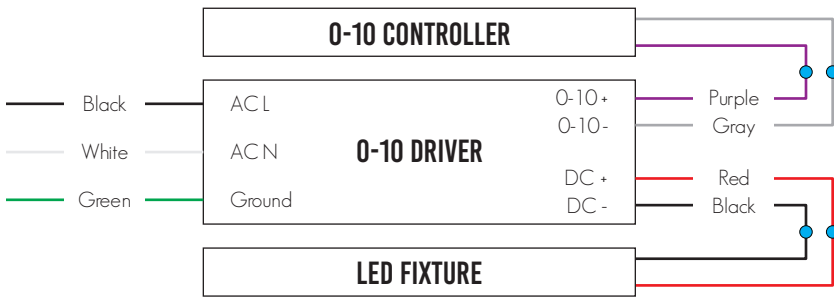


Dimensions

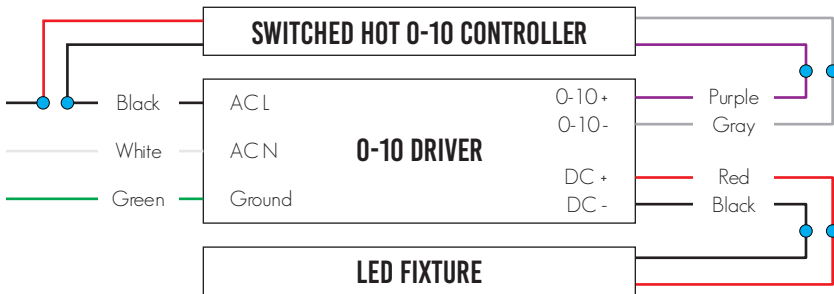




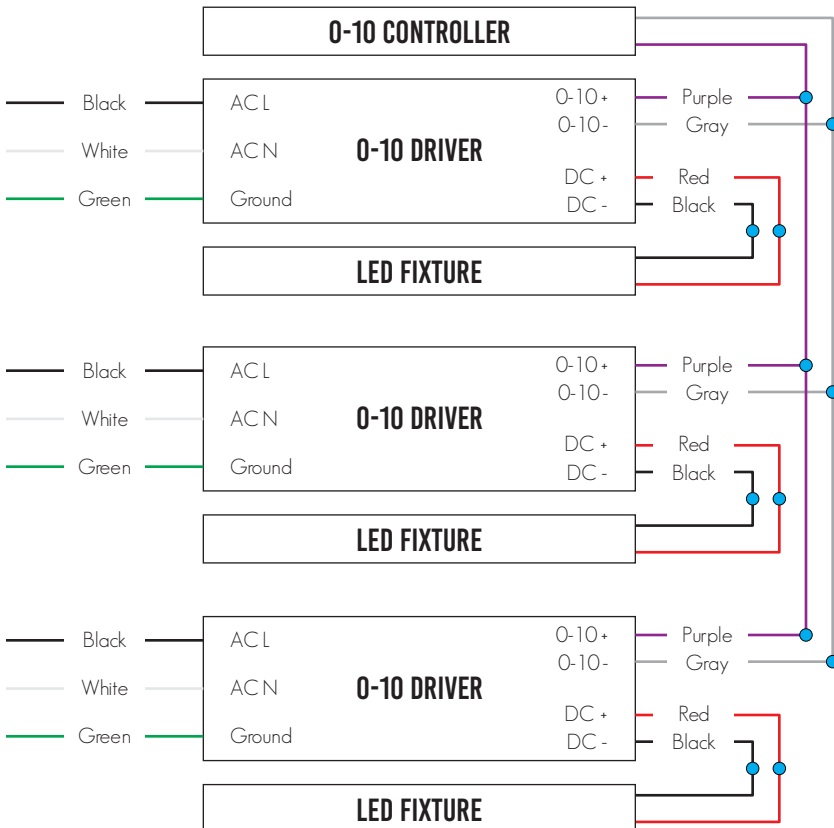
Wiring



Single 0-10 wiring



Switched Hot 0-10 Wiring



Multiple fixture wiring to single 0-10 Dimmer

