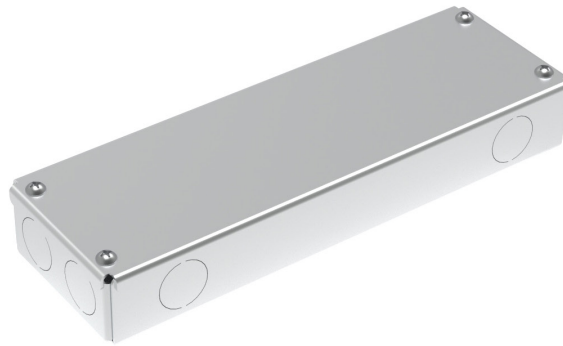




Project : _____ Firm : _____ Type : _____ Quantity: _____



Quick Specs

Driver Type	Constant Current
Dimming Control	0-10 : 0.1%
# of Channels	1
DC Voltage Range	30-50 VDC
AC Input Voltage	120 - 277
Class	2
mA	1400
Wattage	60
Warranty	5 years
Efficiency	>90%

Max Load (1400mA)

Super Low (50mA)	28 Feet
Low (89mA)	15 Feet
Medium (149mA)	9 Feet
High (250mA)	5 Feet
Super High (300mA)	4 Feet

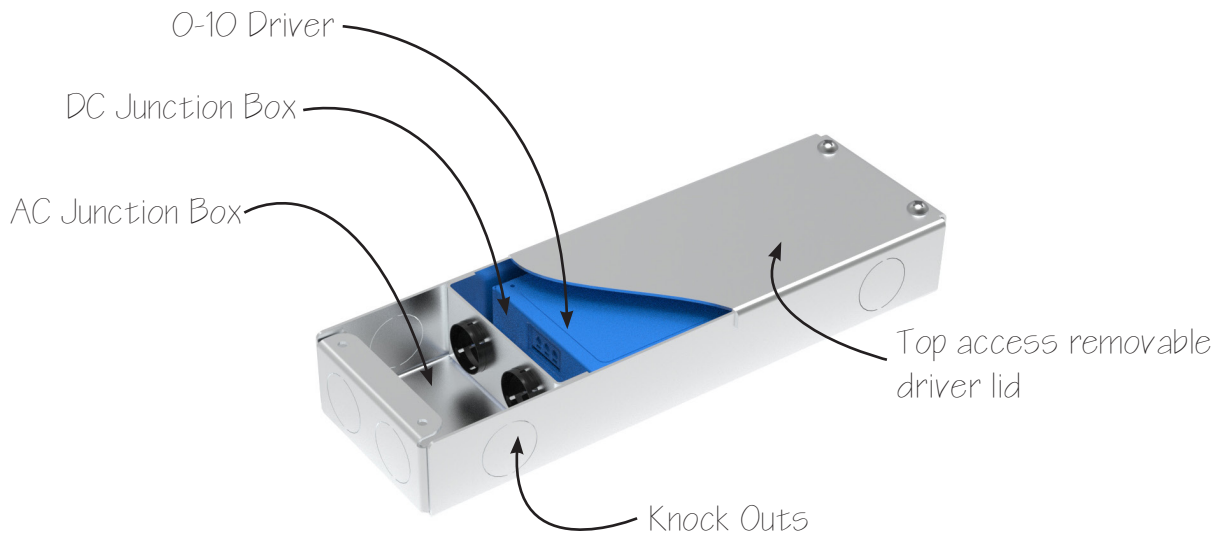
Max Distance

20 AWG	20 Feet
18 AWG	40 Feet
16 AWG	60 Feet
14 AWG	100 Feet
12 AWG	150 Feet

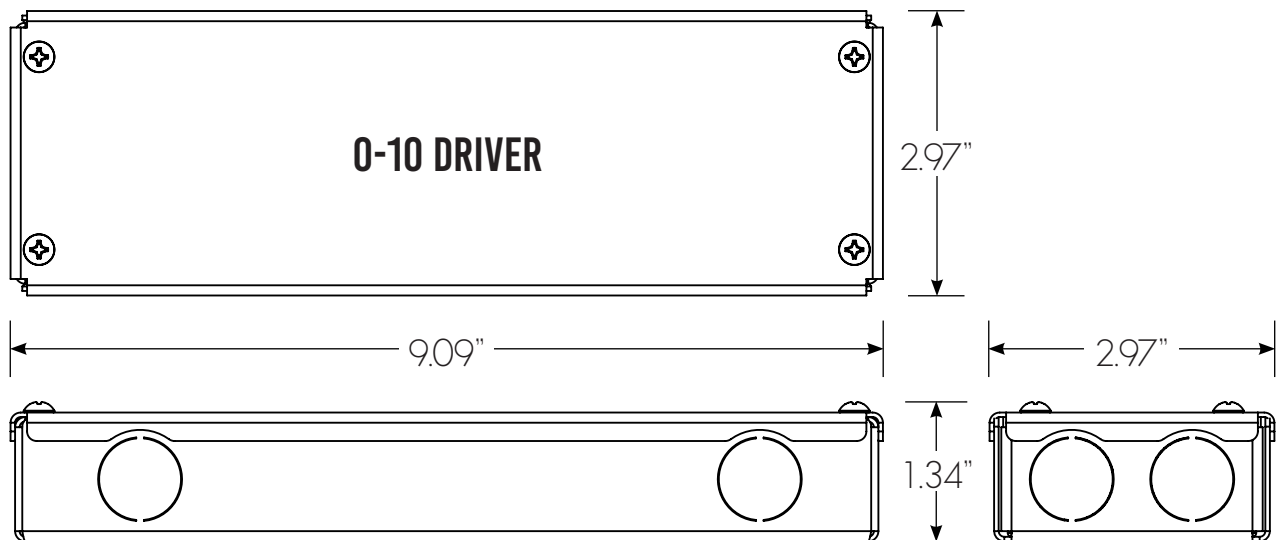




Driver Anatomy

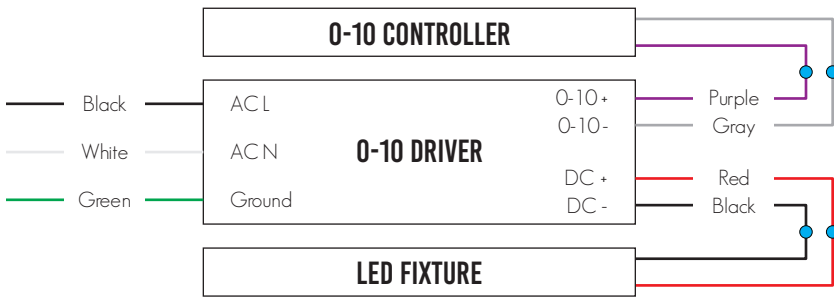


Dimensions

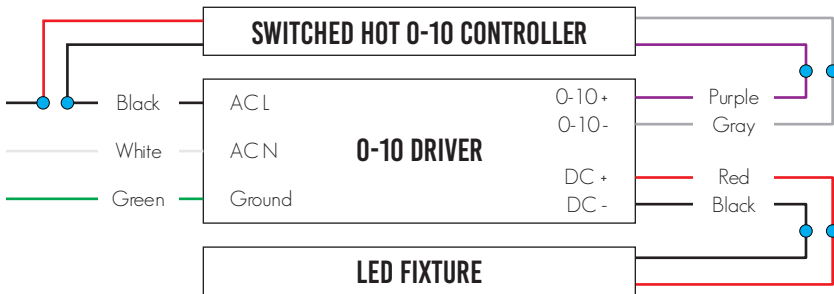




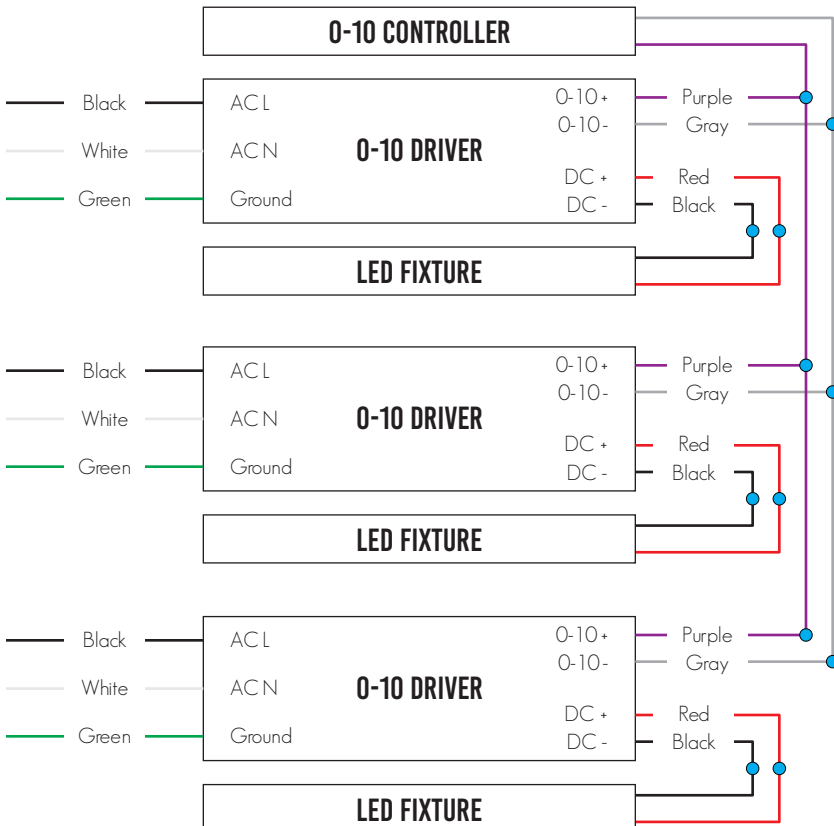
Wiring



Single 0-10 wiring



Switched Hot 0-10 Wiring



Multiple fixture wiring to single 0-10 Dimmer

