



Project : _____ Firm : _____ Type : _____ Quantity: _____



Quick Specs

Driver Type	Constant Current
Dimming Control	0-10
# of Channels	2
DC Voltage Range	8-55 VDC
AC Input Voltage	90 - 305
Class	2
mA	200 - 1500
Wattage	50
Warranty	5 years
Efficiency	>90%

Max Load (1500mA)

Super Low (50mA)	30 Feet
Low (89mA)	16 Feet
Medium (149mA)	10 Feet
High (250mA)	6 Feet
Super High (300mA)	5 Feet

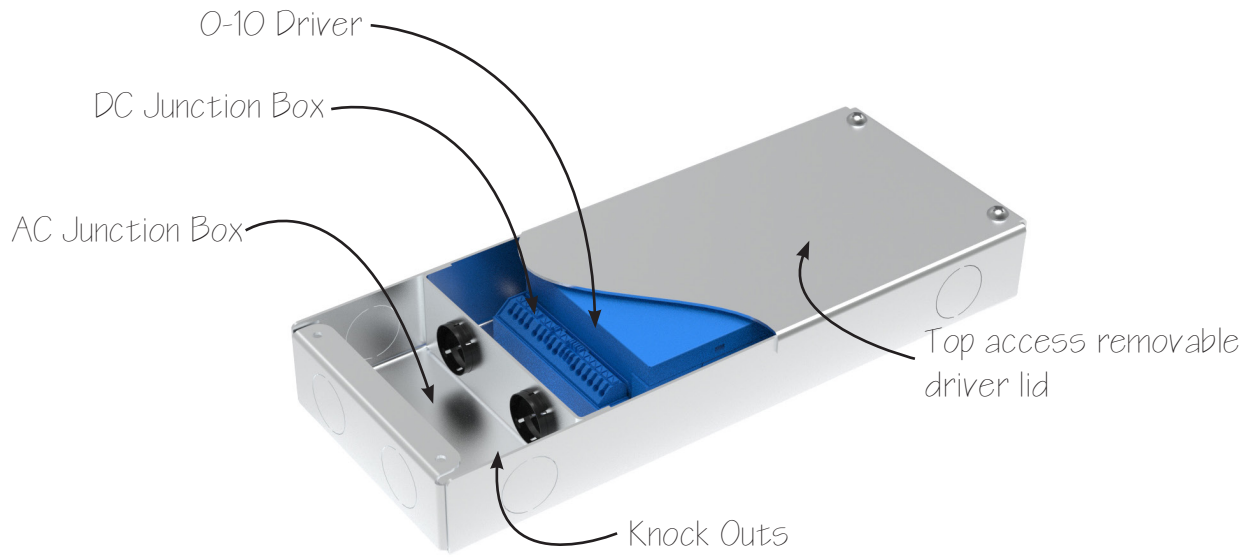
Max Distance

20 AWG	20 Feet
18 AWG	40 Feet
16 AWG	60 Feet
14 AWG	100 Feet
12 AWG	150 Feet

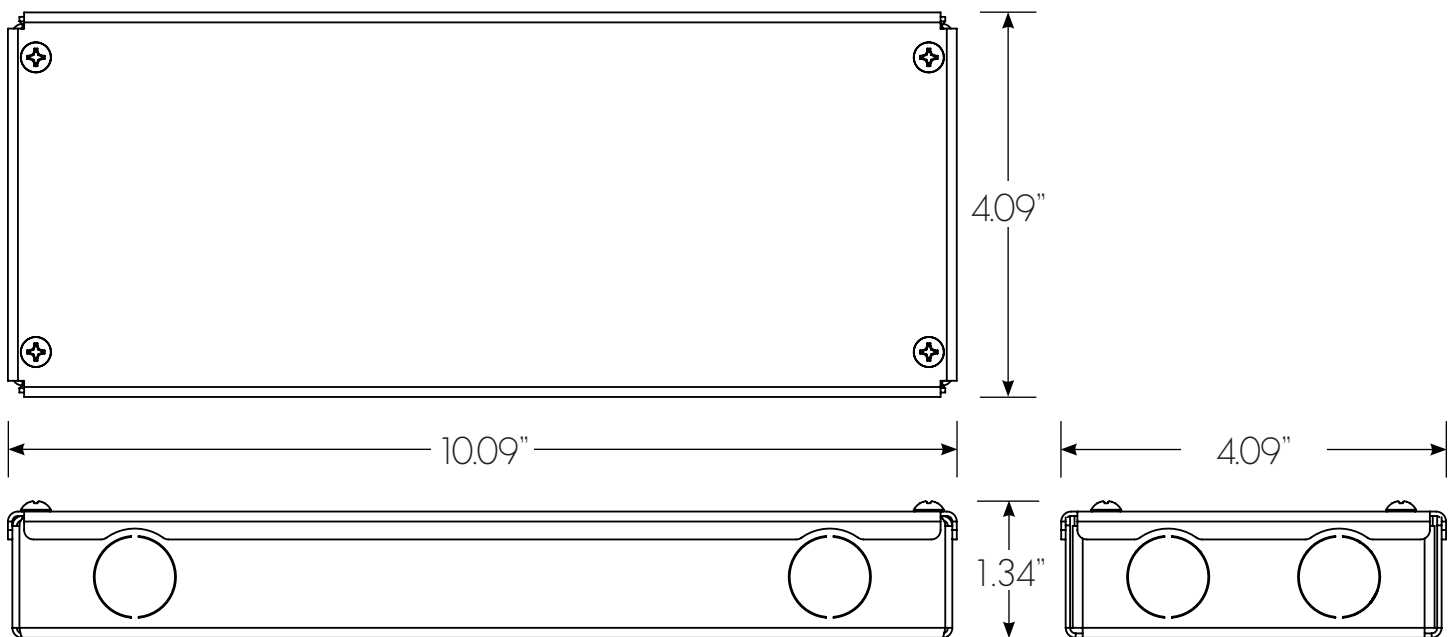




Driver Anatomy



Dimensions





0-10 Wiring

