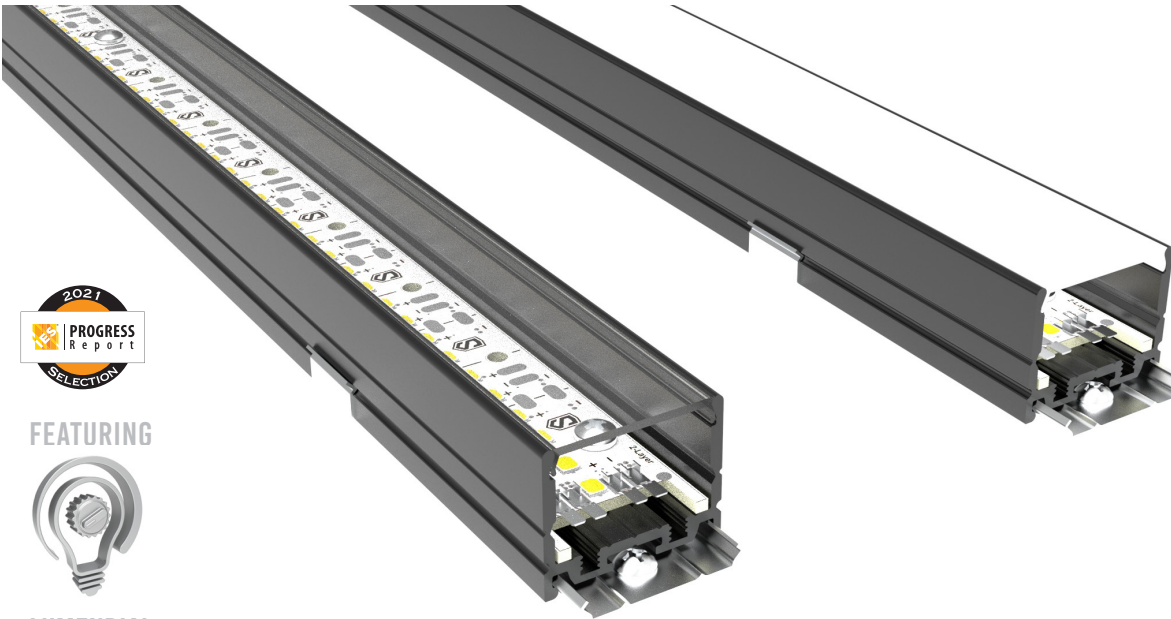




Project : _____ Firm : _____ Type : _____ Quantity: _____



WARRANTY
5 Years

EFFICACY
139 Lm / Wt

MACADAM
3 Step

CRI
90+

R9
50+



FEATURING



LUMENDIAL

Features

- Fully Assembled
- Rigid Scout Engines
- Cuttable to 1/2 Inch
- No Double sided tape
- Shop drawings for all orders
- Easy Plug and play system
- LumenDial allows you to dial in any lumen output
- Designed for the Contractor
- Solderless Connections
- No Visible hot-spots - ever (with milky lens)
- Illuminated Corners
- Endless runs - Inject new power feeds at any point

Applications

- Cove Lighting
- Under Cabinet
- Stair / Toe Kick
- Back Lighting
- Vanity Lighting



Part # Builder

Prefix	Lens	Intensity ¹	CCT	Finish ²	Feed ³	Control	Mount	Blind Cove ⁴	Wire length ⁵
Surface Fixture	FF - Flat Frosted Visible Diodes FM - Flat Milky No Imaging	SL - Sup. Low L - Low M - Medium H - High SH - Sup. High LD - Lumen_Dial ¹	22 - 2200K 27 - 2700K 30 - 3000K 35 - 3500K 40 - 4000K 50 - 5000K	M - Mill W - White B - Black Custom RAL #	EF - End RF - Rear SF1 - Side 1 SF2 - Side 2	0 - None 1 - 0-10 2 - DMX 3 - POE 4 - Phase 5 - Lutron Hi-Lume 1% EcoSystem w/ SO-FIB 6 - Lutron Hi Lume 1% 3 Wire-G 7 - Lutron Hi Lume 1% Forward Phase 2-Wire 120V	N - None I - Internal Clip E - External Clip IM - Internal Magnetic EM - External Magnetic 19/16 - T Grid Int 9/16 E9/16 - T Grid Ext 9/16 115/16 - T Grid Int 15/16 E15/16 - T Grid Ext 15/16 T - Tilttable Stand ELV - Elevated Clip	N - No Y - Yes	12" 24" 48" 96" Custom

¹ LumenDial : Custom Output : The Scout Engines can be programmed for any lumen output from 1 to 1,400 lumens per foot. Contact Factory for more info.

² Finish : Mill Finish comes standard. Cost Adder for Powder Coating. Contact Factory for Custom RAL#.

³ Feed : See Feed details on page 4

⁴ See Blind Cove details on page 5.

⁵ Wire Length : Standard 12"

⁶ Ordering info on page 9.





SCOUT RECOGNIZED 2021 IES PROGRESS REPORT



“Scout has released its Select Linear Accent Lighting Line as the first linear accent lighting product that is cuttable every 1/2-inch with the ability to burn in a specific lumen and wattage output at time of assembly. The client is able to choose from 1 to 1400 lumens per linear foot. Their proprietary boards have low-profile male / female connectors and the engines are designed with side and rear feed points every inch.” - IES Progress Report

OUR PHILOSOPHY

At Scout, everything we do is driven by three simple philosophies:

- We do the job that needs to be done.
- If something isn't perfect we'll do it again, regardless of time.
- We design what we love and love what we design.

We proudly stand on the front-line of the industry - taking risks to achieve superior and simpler product. **THIS IS THE WAY OF THE SCOUT.**



LUMEN_DIAL

ANY LUMEN VALUE: BETWEEN 1 - 1,400 PER FOOT
ANY WATTAGE: BETWEEN 0.1 - 10 PER FOOT
DIALED IN TO YOUR SPECIFICATION

Scout's proprietary award-winning light engines have the ability to dial in any intensity or wattage you desire without changing a thing on the engine. We can guarantee you'll never have a hot spot or shadow again.



Designed • Built • Shipped

NEW YORK



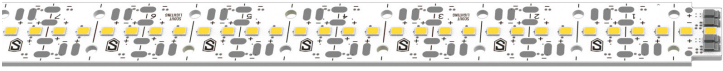


SCOUT LIGHTING
Designed - Built - Shipped - New York

SURFACE FIXTURE

STATIC WHITE

THE SCOUT ENGINES - THE HEART OF EVERY FIXTURE



STATIC WHITE



TUNEABLE WHITE



RGB WHITE

SCOUTS AWARD-WINNING RIGID ENGINES HAVE BEEN EXPANDED TO INCLUDE TUNEABLE WHITE AND RGBW

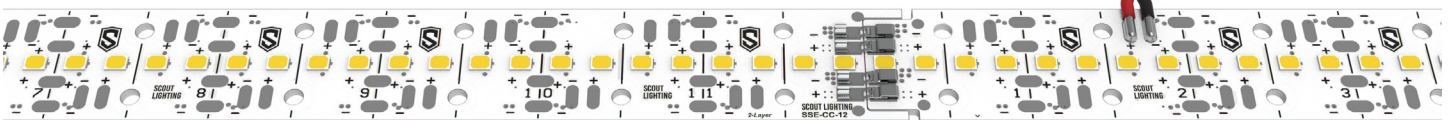


LIMITLESS LIGHT

POWER WHERE YOU NEED IT

Our propriety patented engines feature solderless connectors and low-profile male / female connectors, enabling simple snap-together installation. Throw in the ability to inject power from either side or the rear, and we can offer you limitless runs without ever having a break in your light.

PERFECT_PITCH





Quick Specifications

LED SYSTEM

Proprietary linear LED Scout Engine incorporates premium Cree LEDs on a robust platform to achieve excellent thermal management. LEDs are placed to promote a uniform appearance.
Available in 2200K, 2700K, 3000K, 3500K, 4000K or 5000K in 90+ CRI. LED modules and drivers are replaceable.
Color accuracy <3 SDCM

CONSTRUCTION

One piece extruded aluminum housing. Cast aluminum end caps.

OPTICS

Extruded High Transmission Milky Acrylic Lens with No LED imaging.
Extruded High Transmission Frosted Acrylic Lens with LED imaging.

ELECTRICAL

Fixture come preassembled with 8" whip.
All Drivers are installed in remote location.
All drivers are Universal input 120-277 VAC.
Standard Constant Current drivers include 0-10V dimming preinstalled in an enclosure.

LABELS

Conforms To UL STD 2108 Certified To CSA STD C22.2 # 250.0
Suitable for Dry or Damp Locations, indoor use only.

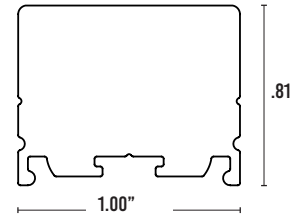
FINISH

Standard Mill Aluminum Finish.
Powder Coating to any RAL# available upon specification

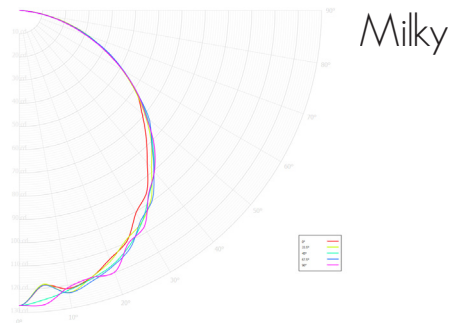
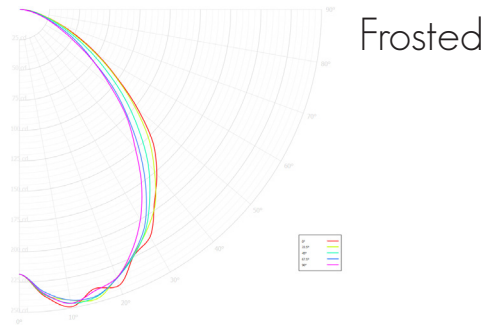
WARRANTY

5 Year Limited Warranty - Covers all Scout manufactured products.
Default to manufactures warranty for all 3rd party components.

Dimensions



Candela Polar Plot



Frosted Lens : Visible Diodes - 5% Light Loss

OUTPUT	SL	L	M	H	SH
Lumens / Foot	219	388	644	1092	1273
Watts / Foot	1.6	2.8	4.8	8.3	9.8
Lumens / Watt	139	138	135	131	129

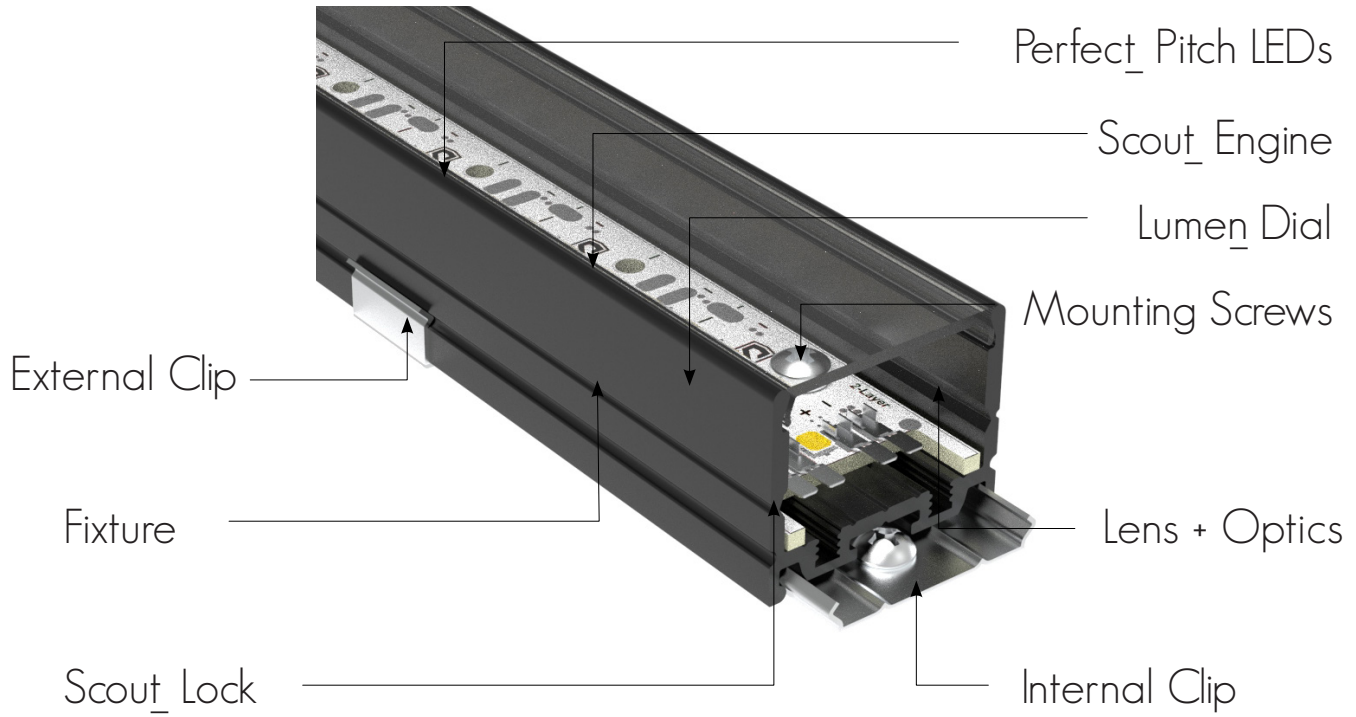
Milky Lens : No Imaging - 50% Light Loss

OUTPUT	SL	L	M	H	SH
Lumens / Foot	115	204	339	575	670
Watts / Foot	1.6	2.8	4.8	8.3	9.8
Lumens / Watt	73	72	71	69	68





Fixture Anatomy



Perfect_Pitch LEDs

Achieve an uncompromisable layer of architectural lighting at any intensity through LED spacing that never change with the intensity. This means no hot-spots and imaging when paired with the Milky lens.

Scout_Engine

Rigid boards Plug and Play together.

Cutable to 1/2 Inch

Mounting Screws

No more double sided tape!

Scout's Rigid Engines are held firmly in place with screws.

Lumen_Dial

A patent pending circuit design delivers 3 separate intensities within a single engine. One engine, one pitch is the only way to simply and brilliantly bring a vision to reality.

Blind Clip

Scout's Wrap Around Blind Clip makes blind cove installation a breeze.

Also comes in Magnetic mounting

Fixture

Designed from the ground up to be a module system.

Each fixture is 100% custom to you. Pre assembled and cut to the 1/2 inch

We can powder coat to any finish you desire.

Scout_Lock

Developed with a straightforward installation process in mind, engine connectors quickly lock together. No tools are necessary even when housing in the Scout Select Channel.

Flush Mount Clip

Scout's Surface mounting clip sits flush when installed. Once installed you'll never see it again!

Also comes in Magnetic mounting

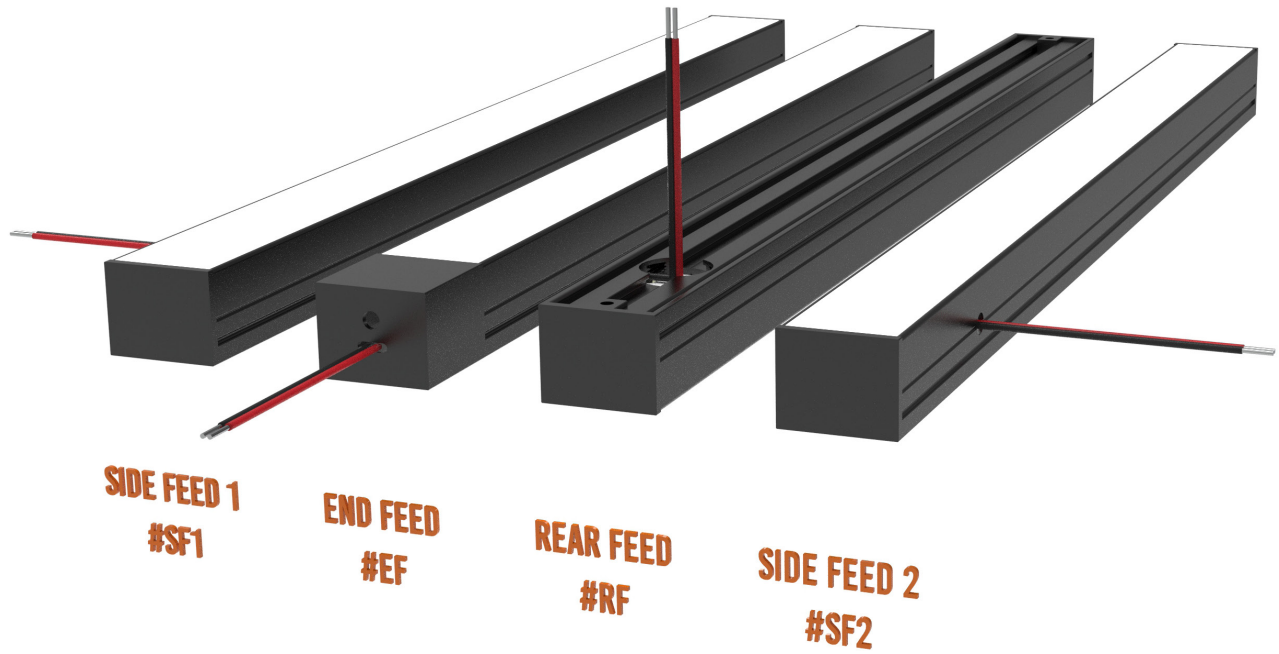
Lens + Optics

Scout offers multiple lens options for you. Frosted lens for maximum output, Milky lens for visible hot-spot free illumination and a 10 degree grazer to make those textured walls pop.

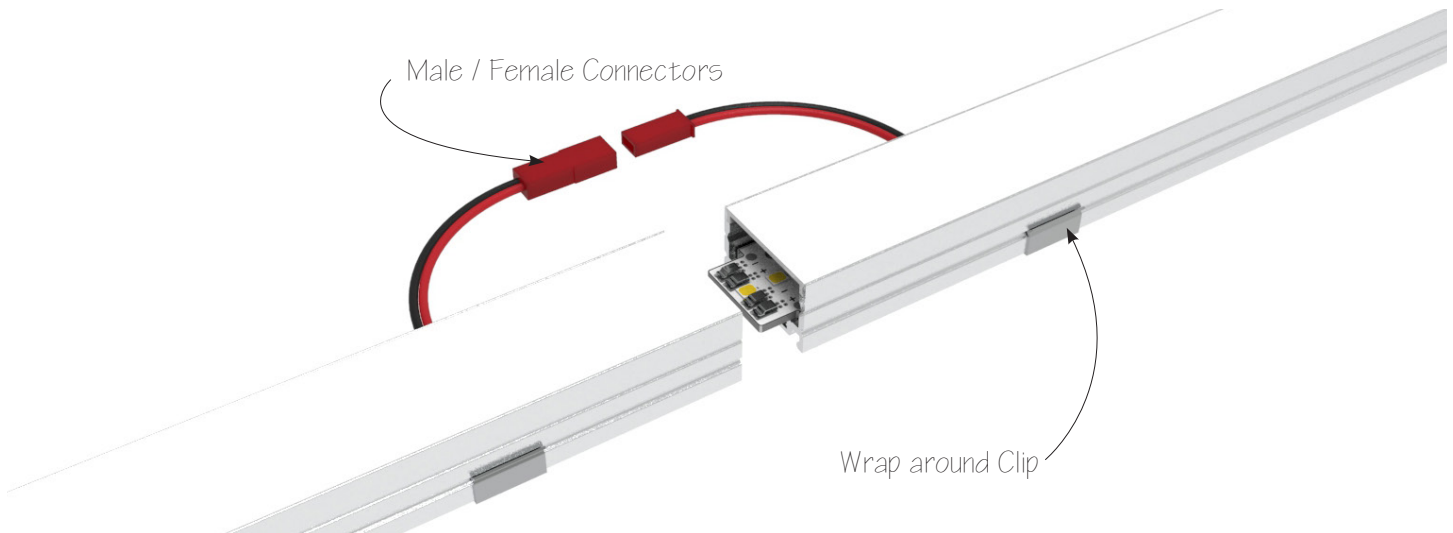




Feed Options



Blind Cove Option

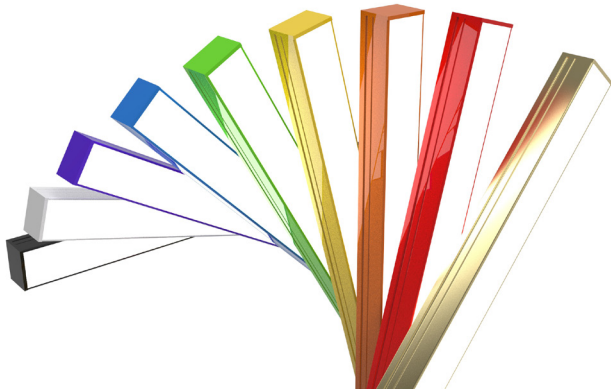


Scout offers a blind cove option for those hard to reach and see installs. The wrap around clip makes mounting a breeze and male / female connectors help make connections when you can't see.





Finish

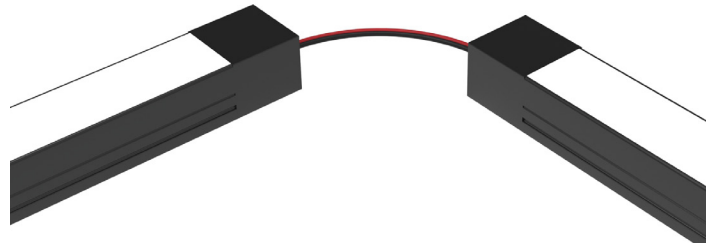


Powder Coat any Scout Fixture to any RAL #
Scout Fixtures come standard Mill Finish Aluminum

Your Fixture. Your Design. Customized.

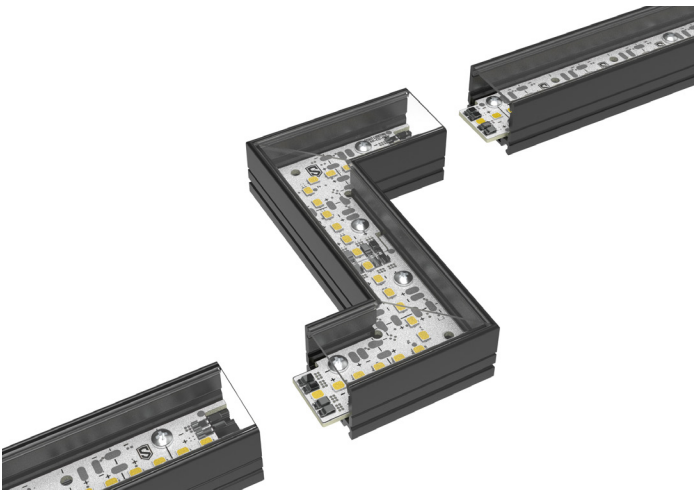
Price Adder for Powder Coating

Jumpers



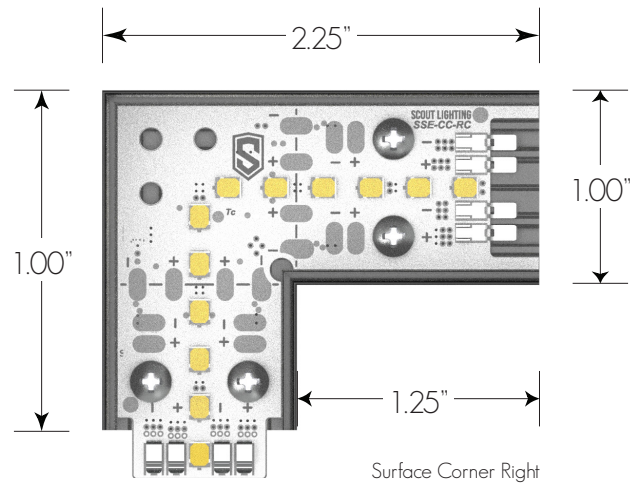
Whether you're turning an angle or daisy chaining the Scout Fixtures can be connected with any length of wire you choose.

Patterns



Scout fixtures come completely preassembled.
All the installers need to do is simply slide them together.
New power feeds can be injected anywhere.
Never have a break in light!

Illuminated Corners



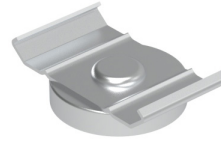
Scouts Illuminated corners come in both Left and Right Directions.

The corners snap into place with Scout_Lock technology.





Mounting Clips



INTERNAL CLIP
PART # SMI

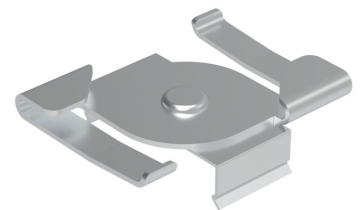
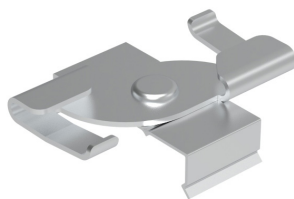
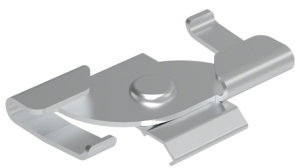
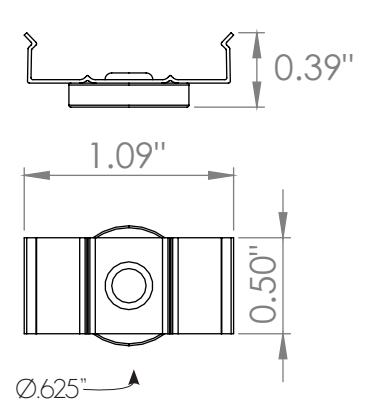
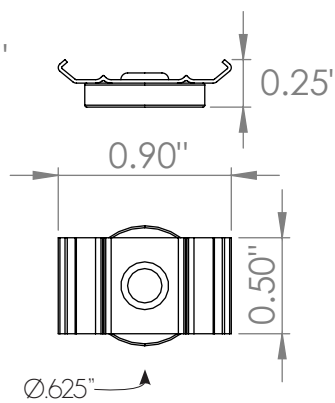
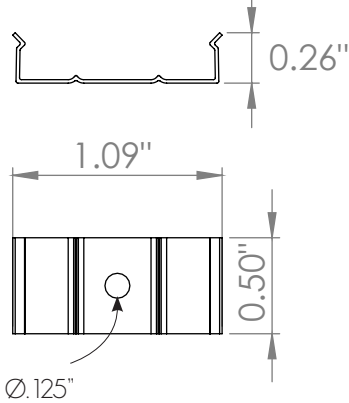
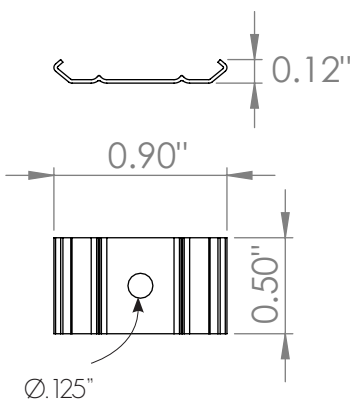
Ships with 1/2" #4 Screw
Use #1 Phillips Bit Driver

EXTERNAL CLIP
PART # SME

Ships with 1/2" #4 Screw
Use #1 Phillips Bit Driver

INTERNAL MAGNETIC
PART # SMIMAG

EXTERNAL MAGNETIC
PART # SMEMAG

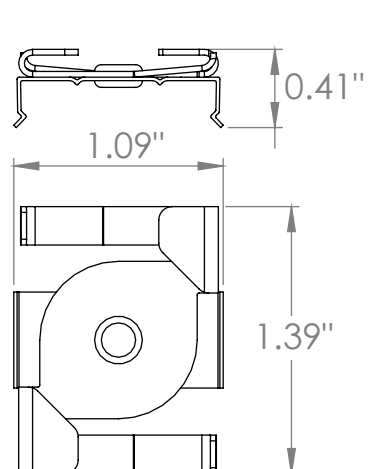
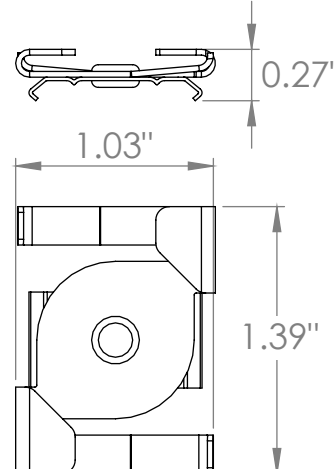
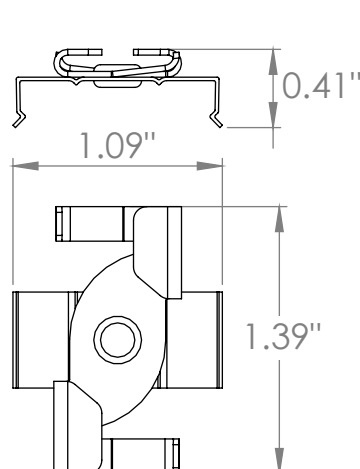
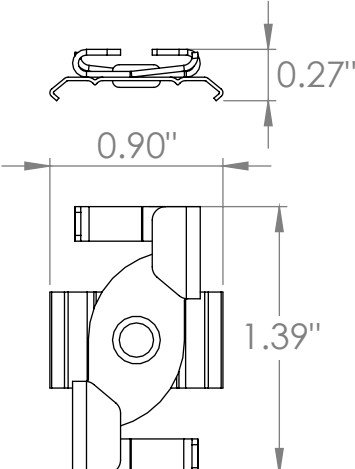


9/16 T GRID - INTERNAL
PART # SMIT9/16

9/16 T GRID - EXTERNAL
PART # SMIT15/16

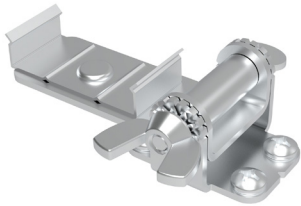
15/16 T GRID - INTERNAL
PART # SMET15/16

15/16 T GRID - EXTERNAL
PART # SMET15/16



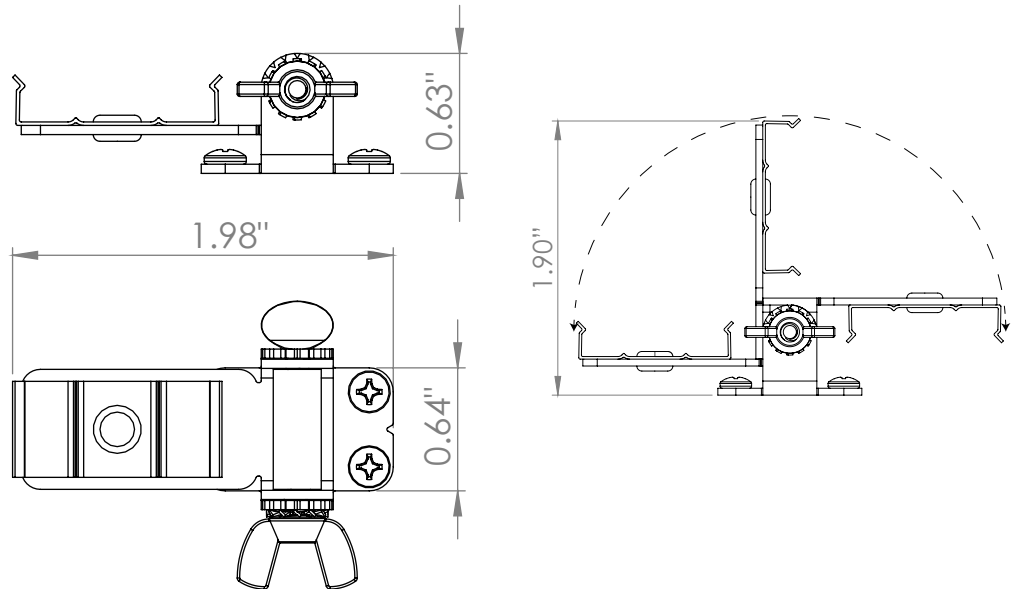


Tiltable Stand



TILTABLE STAND
PART # SMETILT

Ships with 2 @ 1/2" #4 Screw
Use #1 Phillips Bit Driver

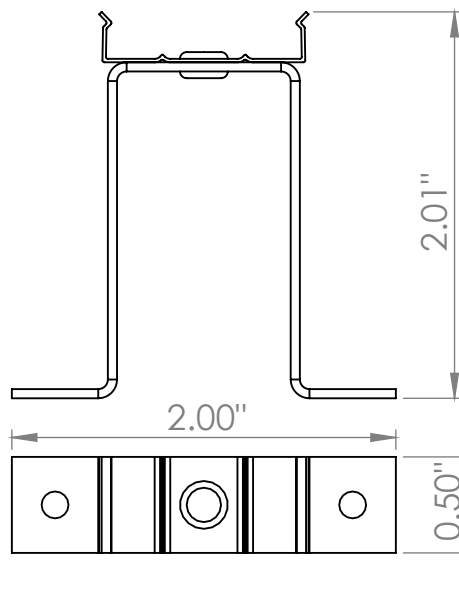


Elevated Stand

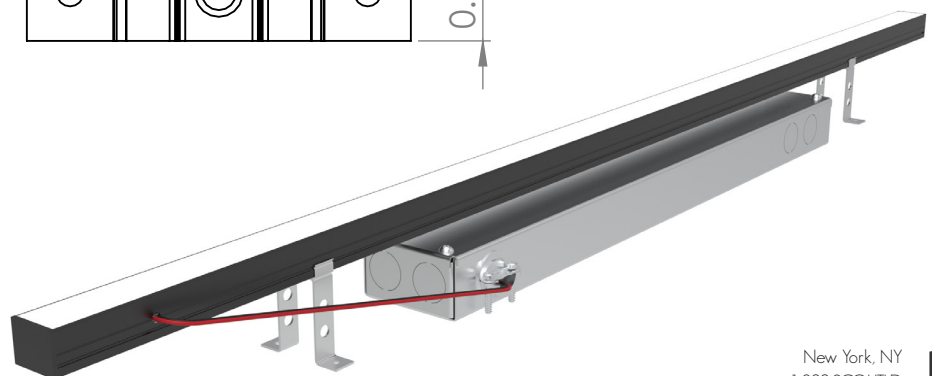


ELEVATED CLIP
PART # SMEELV

Ships with 2 @ 1/2" #4 Screw
Use #1 Phillips Bit Driver

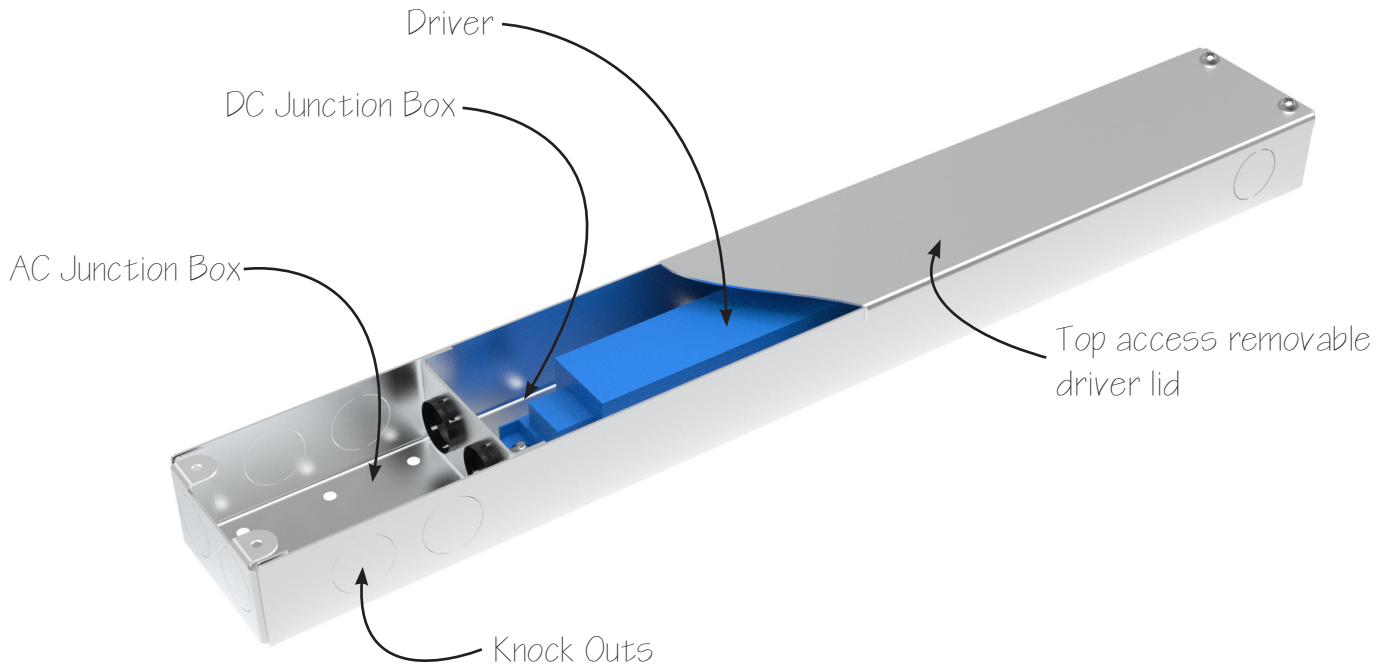


Elevate your Scout Fixture
above your driver for simple wiring
and installation`





Drivers



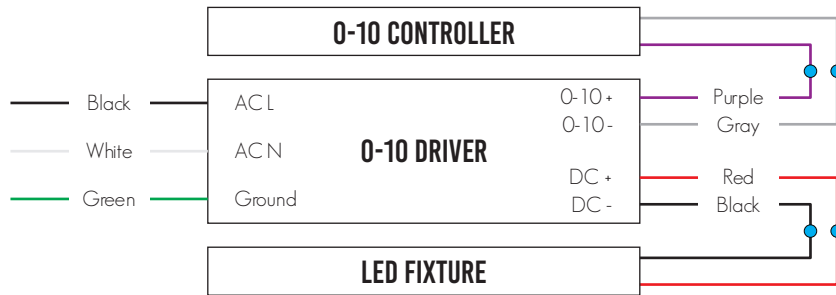
All scout drivers come preinstalled inside of NEMA rated enclosures. Our proprietary driver enclosures come with AC and DC Junction boxes and knockouts around the perimeter. Contractors can use our AC junction box to make branch circuit connections.

Max Load (2000mA)		Max Distance	
Super Low (50mA)	40 Feet	20 AWG	20 Feet
Low (89mA)	22 Feet	18 AWG	40 Feet
Medium (149mA)	13 Feet	16 AWG	60 Feet
High (250mA)	8 Feet	14 AWG	100 Feet
Super High (300mA)	5 Feet	12 AWG	150 Feet

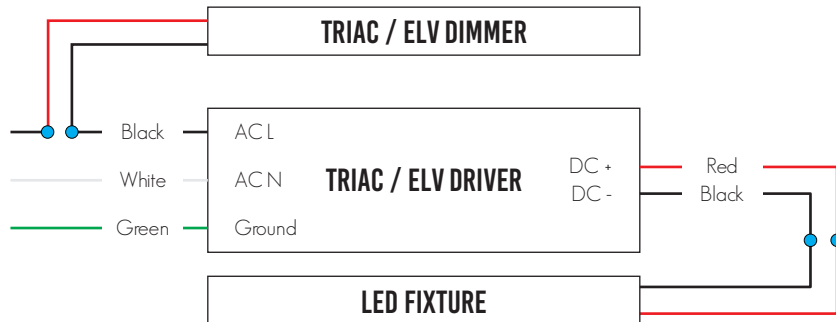




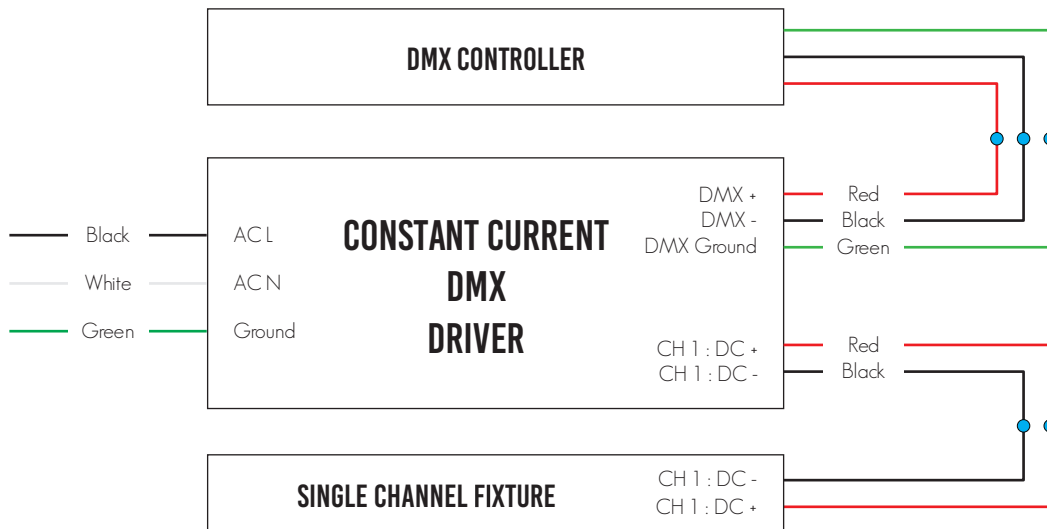
0-10 Wiring



Phase Wiring

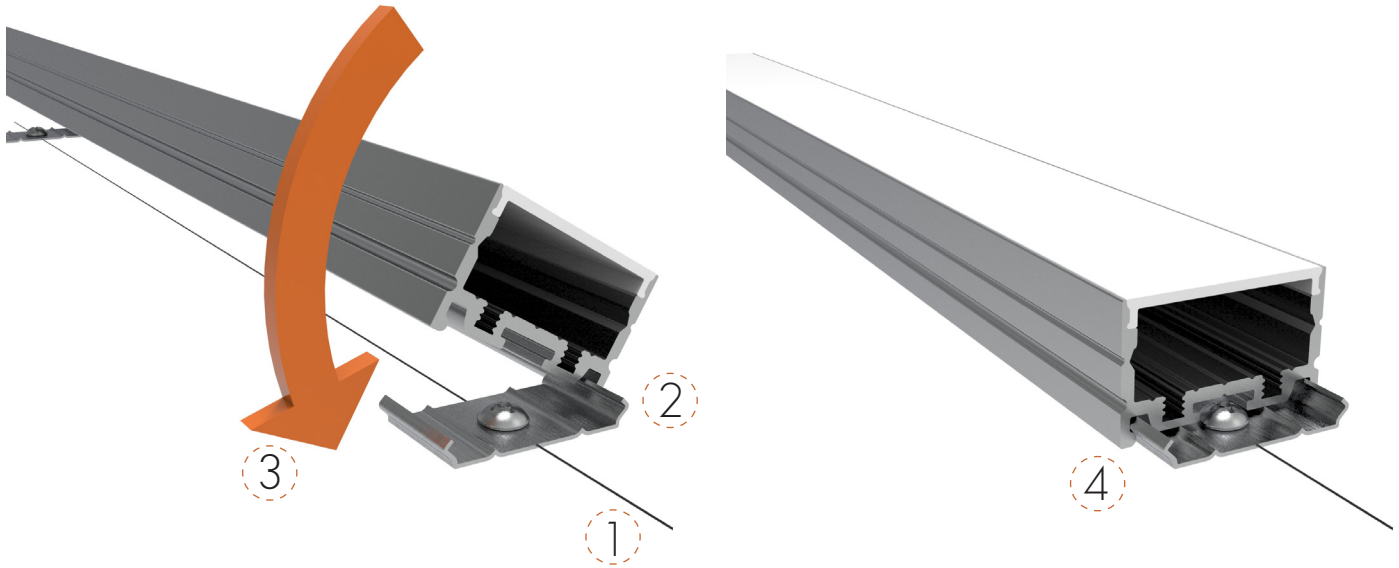


DMX Wiring



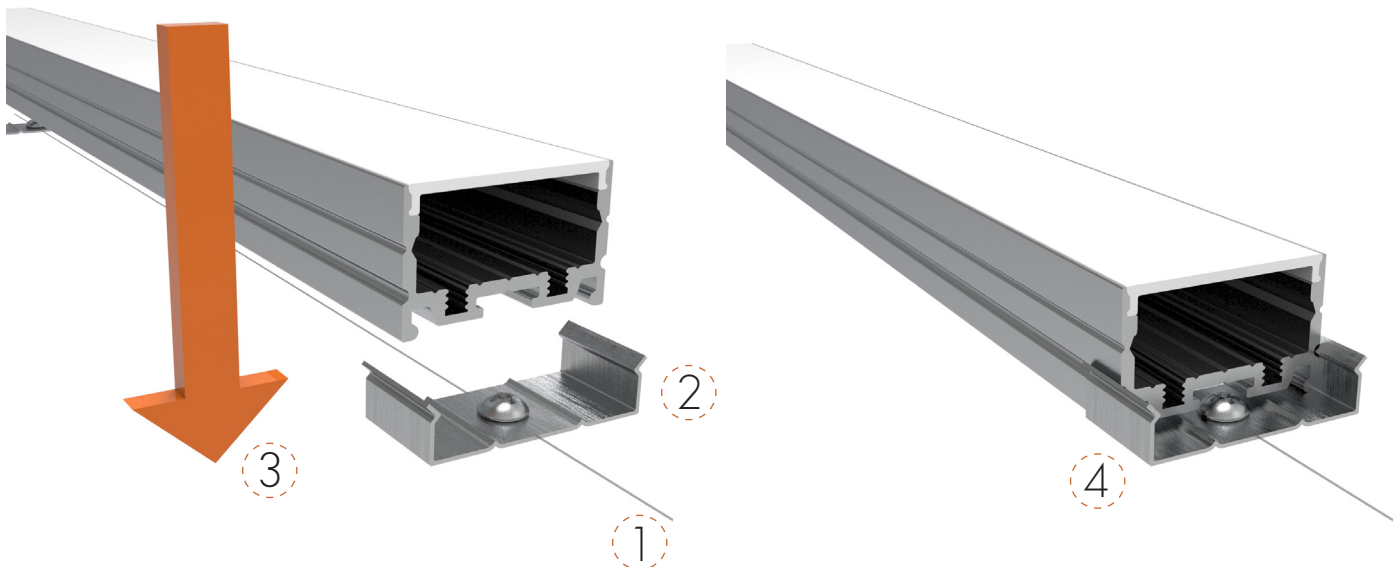


Internal Clip Install



1. Draw / Laser / Chalk a straight line and install clips on mounting plane.
2. Slide one edge of the Fixture against the clip.
3. Rotate Fixture down.
4. Snap the Fixture into the clip.

External Clip Install



1. Draw / Laser / Chalk a straight line and install clips on mounting plane.
2. Insert Fixture straight down into the Blind Clip.
3. Push Fixture down.
4. Snap the Fixture into the clip.





Specification Details

INTENSITY	S. LOW	LOW	MEDIUM	HIGH	S. HIGH
Watts / Foot	1.6	2.8	4.8	8.3	9.8
mA / Foot	50	89	149	256	300
Frosted Lens: Lumens/ Foot	219	388	644	1092	1273
Frosted Lens: Lumens/ Watt ¹	139	138	135	131	129
Milky Lens: Lumens/ Foot	115	204	339	575	670
Milky Lens: Lumens/ Watt ¹	73	72	71	69	68
Color Temperatures (K)	2200, 2700, 3000, 3500, 4000, 5000				
CRI	90+				
R9	50+				
MacAdams Ellipses	3 Steps				
Beam Angle ²	120 Degrees				
IP Rating	IP20 - Dry Location				
Lamp Life	50,000 Hours				
Dimming / Control ³	0-10 / POE / DMX / DALI / PHASE / LUTRON				
Operating Temperature	-13°F to 122°F				
Warranty	5 Years				
Max Driver Load at 2A	40 Feet	22 Feet	13 Feet	8 Feet	5 Feet
ETL	Conforms To UL STD 2108 - Certified To CSA STD C22.2 # 2500				

CCT	LUMINOUS FLUX
2200K	82%
2700K	100%
3000K	100%
3500K	115%
4000K	118%
5000K	106%

LUTRON	
LDEI	Hi-Lume 1% EcoSystem. Soft On, Fade to Black
L3DAE	Hi-Lume 1% EcoSystem
L3DA3W	Hi-Lume 1% 3 WIRE+G
L7EA	Hi-Lume 1% 120V. 2-WIRE Forward Phase

Ordering Details

- All fixtures come standard with starter end cap feed unless otherwise specified.
- All Scout Select Fixtures come preassembled up to 8 feet long with 8" power feed.
- Any Fixture length under 8 feet long will be made as a complete fixture.
- Any Fixture length over 8 feet long will be broken into 6 foot lengths + the balance length.
I.E. A 10 Foot Fixture will be broken into 1 length @ 6 Feet and 1 @ 4 Feet.
- Fixtures daisy chain together with Scout_Lock™ Technology. See figures 1.1 and 1.2 below.
- In situations where fixtures are longer than the maximum wattage load new power will be injected from either the side or rear. Standard Injection is side Feed 1.
- All orders come with an approval drawing. Fabrication will not begin until drawing has been signed off or waived.

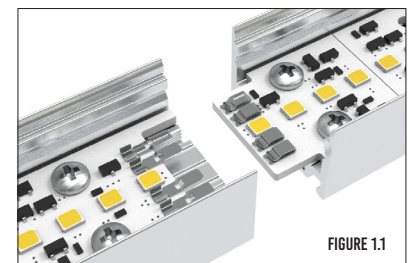


FIGURE 1.1

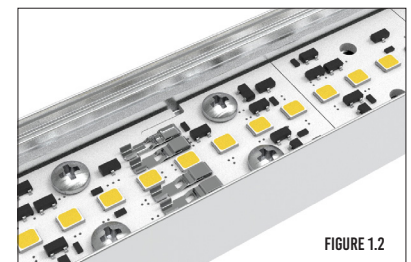


FIGURE 1.2

¹ Lumens / Watt takes into account nominal driver efficacy at full load

² Beam Angle with Milky Lens

³ Not all dimmers / drivers compatible contact factory for testing

