

PART # DUNV010100



QUICK SPECS

| VOLTAGE | WATTAGE | AMPERAGE | INPUT VOLTAGE |
|---------|------------|----------|---------------|
| 24vDC | 96 | 4.1 | 120 - 277 AC |
| CLASS | EFFICIENCY | DIMMABLE | WARRANTY |
| 2 | 87% | 0-10 | 5 Years |

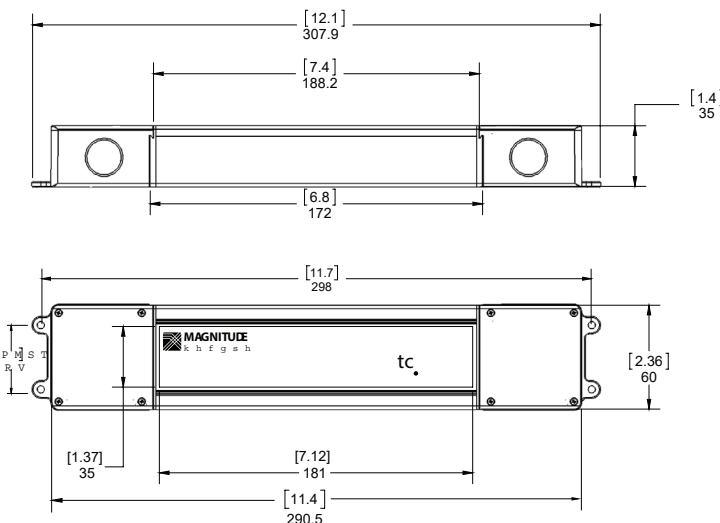
FEATURES

- UL Listed Enclosure – With Built-In Junction Boxes
- Universal Input Voltage
- 0-10V Dimmable - Flicker Free Down to 1%
- Ripple Free
- IP65 – For Both Indoor and Outdoor Use
- UL 8750 Approved
- Class 2, Class P
- Auto-Reset Protection for Short Circuit & Over-Temperature
- Over Load Protection – CC Mode

DIMENSIONS

| | |
|------------|------------------|
| Length : | 11.40" [290.5mm] |
| Mounting : | 12.10" [307.9mm] |
| Width : | 2.36" [59.9mm] |
| Height: | 1.40" [35mm] |
| Weight: | 1.93bs [30.95oz] |

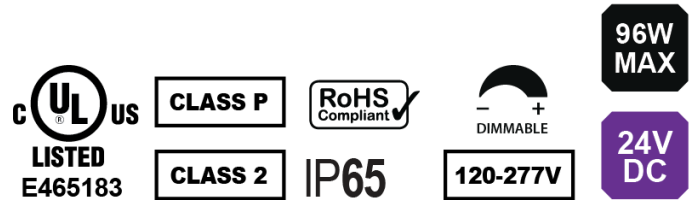
LINE WORK



MAX DRIVER LOAD @ 24VDC 100 WATTS

| LOW - 2.5 | MEDIUM - 5.0 | HIGH - 10.0 |
|-----------|--------------|-------------|
| 40 Feet | 20 Feet | 10 Feet |

APPROVALS



WIRING

| | |
|----------|-----------------------------|
| Input : | 4" - Black [L] - #18AWG |
| | 4" - White [N] - #18AWG |
| | 4" - Purple [0-10] - #20AWG |
| | 4" - Grey [0-10] - #20AWG |
| Output : | 4" - Red [DC +] - #18AWG |
| | 4" - Black [DC -] - #18AWG |

FULL SPECIFICATIONS

| | |
|---------------------|----------------------------|
| DC Voltage | 24VDC |
| Current | 4.1 Amps |
| Wattage | 96 Watts |
| Input Voltage | 120 - 277 VAC |
| Input Current | 0.94 / 0.41 A |
| Frequency Range | 50 / 60 Hz |
| Efficiency | 87% |
| Power Factor | > 0.90 |
| Temperature Range | -40° - 90° C |
| Protection | Short Circuit and Overload |
| IP Rating | IP65 - Dry or Damp |
| Current Consumption | 0.2mA Max Source / Sinc |

