

PART # DUNV01030



QUICK SPECS

VOLTAGE	WATTAGE	AMPERAGE	INPUT VOLTAGE
24vDC	30	1.3	120 - 277 AC
CLASS	EFFICIENCY	DIMMABLE	WARRANTY
2	87%	0-10	5 Years

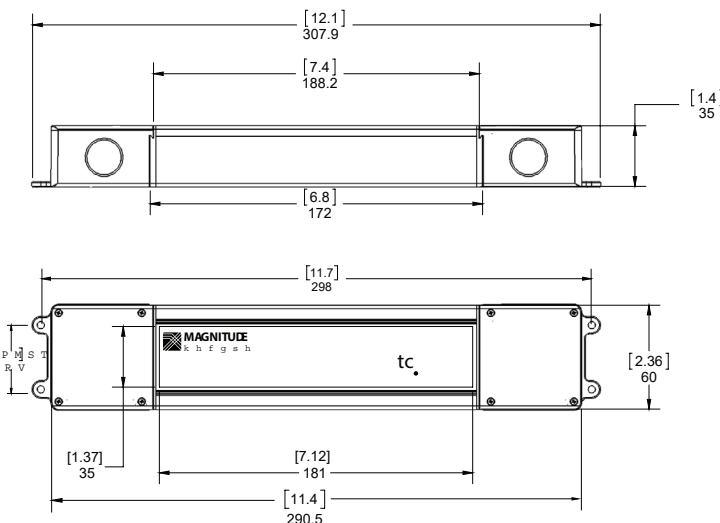
FEATURES

- UL Listed Enclosure – With Built-In Junction Boxes
- Universal Input Voltage
- 0-10V Dimmable - Flicker Free Down to 1%
- Ripple Free
- IP65 – For Both Indoor and Outdoor Use
- UL 8750 Approved
- Class 2, Class P
- Auto-Reset Protection for Short Circuit & Over-Temperature
- Over Load Protection – CC Mode

DIMENSIONS

Length :	11.40" [290.5mm]
Mounting :	12.10" [307.9mm]
Width :	2.36" [59.9mm]
Height:	1.40" [35mm]
Weight:	1.93bs [30.95oz]

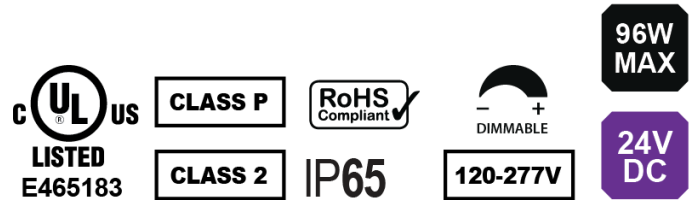
LINE WORK



MAX DRIVER LOAD @ 24VDC 30 WATTS

LOW - 2.5	MEDIUM - 5.0	HIGH - 10.0
15 Feet	6 Feet	3 Feet

APPROVALS



WIRING

Input :	4" - Black [L] - #18AWG
	4" - White [N] - #18AWG
	4" - Purple [0-10] - #20AWG
	4" - Grey [0-10] - #20AWG
Output :	4" - Red [DC +] - #18AWG
	4" - Black [DC -] - #18AWG

FULL SPECIFICATIONS

DC Voltage	24VDC
Current	1.3 Amps
Wattage	30 Watts
Input Voltage	120 - 277 VAC
Input Current	0.94 / 0.41 A
Frequency Range	50 / 60 Hz
Efficiency	87%
Power Factor	> 0.90
Temperature Range	-40° - 90° C
Protection	Short Circuit and Overload
IP Rating	IP65 - Dry or Damp
Current Consumption	0.2mA Max Source / Sinc

